



# HD800 Series Drifters

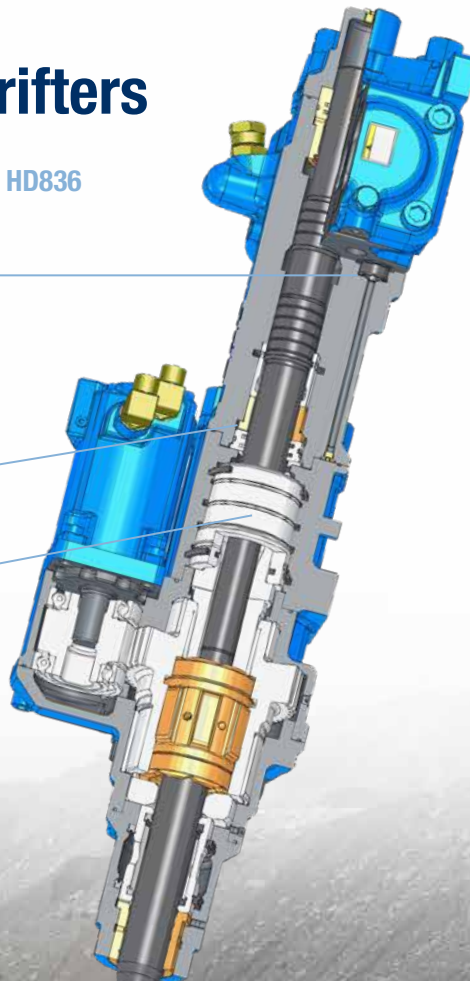
FOR FRD TIER IV DRILLS

HD818 • HD822 • HD828S • HD828 • HD836

**New piston actuating mechanism** performs with more percussion and generates more power at the same time.

**Wedge type piston** allows for greater impact efficiency.

**Dual-damper** piston stabilizes the behavior of the drifter by absorbing repulsion from the rock face during impact.



## Features and Benefits:

### Better Penetration with Increased Impact

› The Furukawa HD800 Series drifters (patent applied for) are designed to minimize drill noise and vibration, while increasing performance.

› With more impact, these drills have the ability to perform in harder rock at a larger diameter.

### Dual Damper System DDS

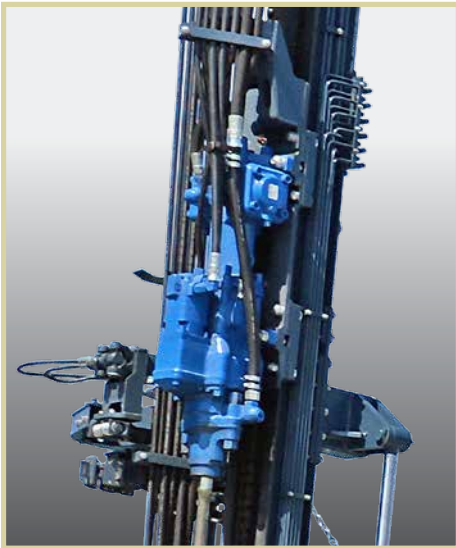
› Stabilizes the bit against the rock, ensuring efficient energy transfer and straighter holes.

› Automatically adjusts the drifter for maximum performance regardless of the rock condition.



## HD800 SERIES DRIFTERS FOR TIER IV DRILLS

	HD818	HD822	HD828S	HD828	HD836
Drill Compatibility	900ES/1100ED	1100ER	1450	1800	1800
Max. Impact Pressure (US Standard)	2,900 psi	2,900 psi	3,118 psi	2,900 psi	3,335 psi
Max. Impact Pressure (Metric)	20 MPa	20 Mpa	21.5 MPa	20 MPa	23 Mpa
Blow - Long Stroke, BPM	2,800	2,700	2,500	2,700	2,600
Blow - Short Stroke, BPM	3,400	3,300	3,000	3,300	3,100
Max. Impact Output - Long Stroke (US Standard)	24.1 hp	29.5 hp	34.8 hp	37.5 hp	48.2 hp
Max. Impact Output - Long Stroke (Metric)	18 kW	22.0 kW	26 kW	28 kW	36 kW
Stroke Adjustment	Variable	Variable	Variable	Variable	Variable
Max. Rotation Torque (US Standard)	508 ft-lbs	1,045 ft-lbs	1,045 ft-lbs	1,045 ft-lbs	2,179 ft-lbs
Max. Rotation Torque (Metric)	689 Nm	1,417 Nm	1,417 Nm	1,417 Nm	2,955 Nm
Max. No. of Rotation Per Minute	200	190	190	190	120
Flushing System	Swivel Type	Swivel Type	Swivel Type	Swivel Type	Swivel Type



[www.frdusa.com](http://www.frdusa.com)

**CORPORATE HEADQUARTERS**  
 805 Lake Street Kent, OH 44240  
**Ph:** 330-673-5826  
**Fax:** 330-677-1616  
**Toll Free:** 1-800-527-2282

**SOUTHEAST SALES AND SERVICE FACILITY**  
 155 Dexter Road  
 Spartanburg, SC 29303  
**Ph:** 864-541-0125