



FURUKAWA ROCK DRILL USA
Rock Drill Division

HCR L90-E5



EPA Tier 4 Final / EU Stage V

Innovative Features For Higher Performance

HCR L90-E5

Drill faster and straighter with the HD828S drifter.

The Furukawa HD828S drifter combines powerful penetration with agility and easy operation. Equipped with features that maximize efficiency, the HD828S drifter sets the standard in high-performance drilling:

- Dual damper system maximizes energy transfer to produce straighter holes. The system automatically tunes the drifter for maximum performance regardless of the rock condition.
- Integrated drilling system is comprised of all-hydraulic controls and a reactive damper control system, which work together to accommodate changing rock conditions. The hydraulic controls automatically adjust impact and feed force, while the damper control system regulates pressure based on rock hardness.



Maximize operator performance with the ultimate in ergonomic cab designs.

HCRL90-E5 cabs are ergonomically friendly with features that reduce operator fatigue. Cabs are 43" (1,100mm) with ROPS/FOPS standard. In addition, all cabs are air-conditioned and continuously pressurized with filtered air to maintain a comfortable operating environment. Other features include:

- Rubber-mounted engine frame isolates cab from engine vibrations.
- Single-lever drilling control for easy operation.
- Large windows maximize operator visibility.
- Walk-around ground level maintenance provides fast, easy upkeep or repair.
- All-In-One display allows operator to monitor machine functions while remaining focused on the drilling.



Combining performance and economy.

Combining performance and economy, the HCRL90-E5 is the perfect drill for quarries or construction sites. Simple, durable and efficient, the HCRL90-E5 with extendable boom incorporates a self-adjusting drill system that ensures high productivity no matter what the drilling situation. By automatically controlling the impact force, feed force, rotation force and dual damper pressure, the HCRL90-E5 continuously adapts to the changing rock conditions, increasing drilling performance and the life of drill tools while decreasing fuel consumption.

Manage fuel savings.

With FRD's TFSS (total fuel savings system), the operator selects the optimum engine speed for the application, allowing all fuel savings functions to be automatically managed during drilling operation.

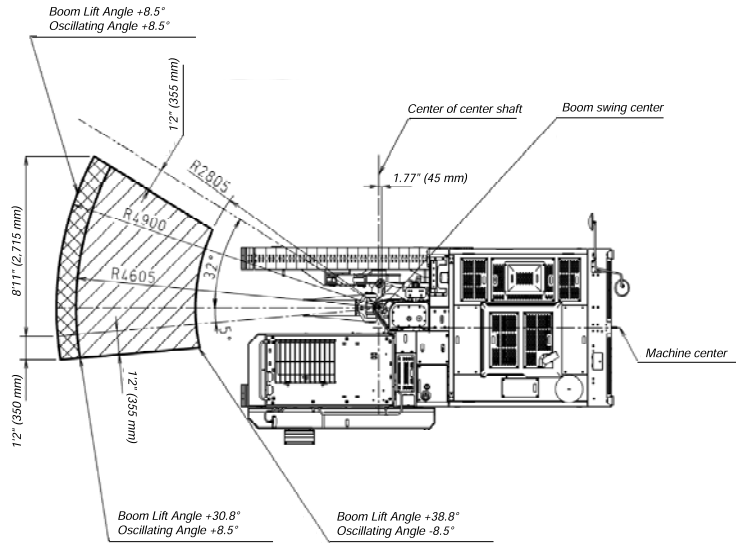
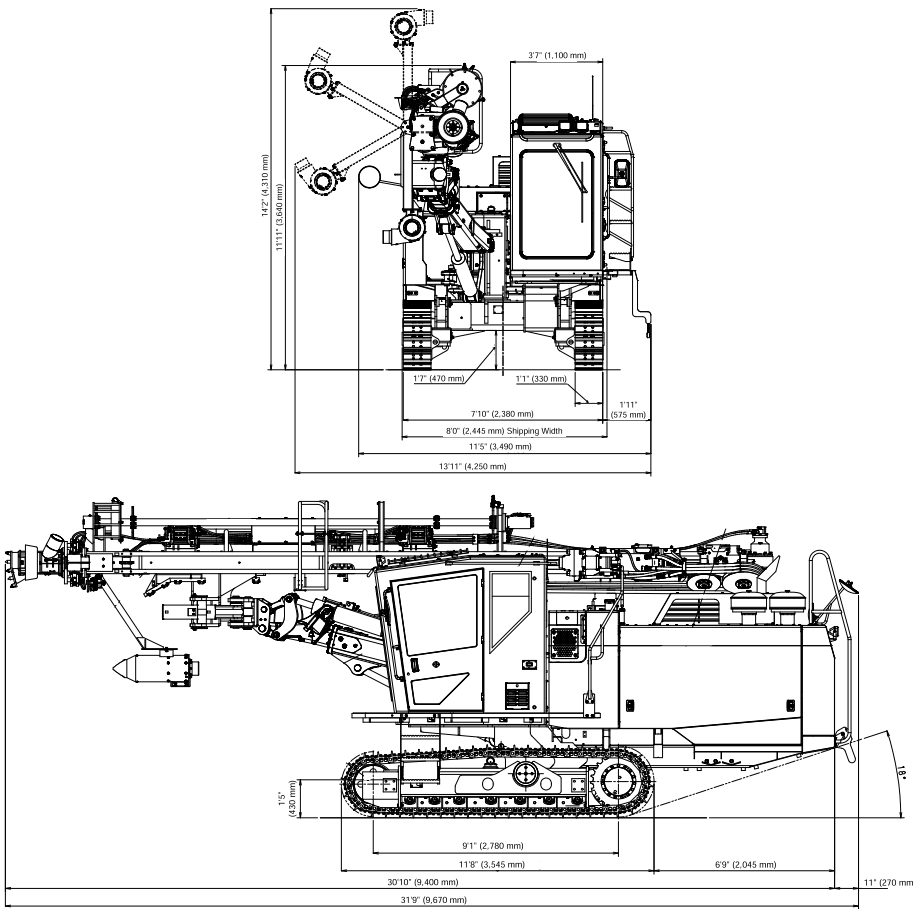


Added features bring versatility.

- Low-emission Tier IV engines offer low fuel consumption and meets US exhaust emissions regulations.
 - Advanced rotary rod changer allows easy drill rod changes. Operators can add and remove rods using a single lever.
 - HCRL90-E5 features 12' rods with extendable boom for increased drill pattern.
 - Heavy-duty undercarriage – featuring a pentagonal section design to reduce dirt build-up and track wear – ensures strength and durability.
 - High-output compressor increases flushing air, provides faster drilling and decreases bit wear.
 - Reliable dust control system increases suction capacity and provides effective pre-cleaner to reduce escape of drilling dust. An optional dust suppression system is available for difficult drilling conditions.
- Options available:
 - 2D/3D angle indicator.
 - Water dust suppression.
 - Heavy-duty rear-mounted bumper.
 - Cold-start kit.
 - Rear camera.



Reliable dust control system.



Note:
 *1 "Overall Weight (A)" includes weights of fuel and oils (full).
 *2 "Overall Weight (B)" includes weight of "Overall Weight (A)", operator, rod and bit.
 *3 "Ground Contact Pressure" is calculated based on "Overall Weight (A)".

Cummins is a registered trademark of Cummins, Inc.
 AIRMAN is a registered trademark of HOKUETSU INDUSTRIES CO., LTD.
 Furukawa's policy is one of continual improvement. Specifications may change between printing.

FRD
 FURUKAWA
FURUKAWA ROCK DRILL / USA

Rock Drill Division
 805 Lake Street
 Kent, Ohio 44240-0017
 Phone: 800.358.4476
 Fax: 330.673.8504
 www.furukawarockdrill.com



	HCRL90		E5	
	US Standard	Metric	US Standard	Metric
Dimensions and Weight	Overall Weight (A) *1	37,060 lbs	16,810 kg	
	Overall Weight (B) *2	38,647 lbs	17,530 kg	
	Overall Length	31'9"	9,670 mm	
	Shipping Length	35'7"	10,855 mm	
	Overall Width	11'5"	3,490 mm	
	Shipping Width	8'0"	2,445 mm	
	Overall Height	14'2"	4,310 mm	
Shipping Height	11'1"	3,375 mm		
Drifter	Model	HD828S		
	Weight	597 lbs	271 kg	
	Length	3'10"	1,158 mm	
	Width	1'3"	387.4 mm	
	Height	1'1"	327.5 mm	
	Number of Blows	2,500 - 3,000 bpm		
Undercarriage	Rotating Speed	0 - 190 rpm	0 - 190 min ⁻¹	
	Track Length	11'8"	3,545 mm	
	Track Length on Ground	9'1"	2,780 mm	
	Track Width	1'1"	330 mm	
	Ground Contact Pressure *3	13.0 psi	89.8 kPa	
	Ground Clearance	1'7"	470 mm	
	Frame Oscillation Angle	±8.5°		
	Tramming Speed	0 - 2.3 mph	0 - 3.7 km/h	
	Gradeability	57.7% (30°)		
	Maximum Traction Force	22,144 lbs-force	98.5 kN	
Engine	Make & Model	Cummins® / B6.7 (Stage V, Tier4 Final)		
	Type	Diesel, Water-Cooled, 6 Cylinders		
	Piston Displacement	408.9 cu in	6.7 L	
	Power Output	260 hp / 2,500 rpm	194 kW / 2,500 min ⁻¹	
	Fuel Capacity	112.3 gal	425 L	
DEF Capacity	15 gal	56.8 L		
Hydraulic Equipment	Variable Displacement Pump	PV Pump x2		
	Fixed Displacement Pump	Gear Pump x3		
	Drive Motor	Hydraulic Motor with Reduction Gear		
Hydraulic Oil Reservoir Capacity	56.8 gal	215 L		
Boom	Model	JE326		
	Type	Extension Boom		
	Boom Lift Angle (Up / Down)	41° / 20°		
	Boom Swing Angle (Right / Left)	32° / 5°		
	Boom Slide Length	2'11"	900 mm	
Guide Shell	Model	GH832		
	Overall Length	28'7"	8,700 mm	
	Feed Length	For 12': 15'1"	For 3,660 mm: 4,596 mm	
	Feed Type	Hydraulic Motor Driven Chain		
	Guide Slide Length	4'11"	1,500 mm	
	Guide Swing Angle (Right / Left)	25° / 90°		
	Guide Tilt Angle	170°		
Maximum Pulling Force	7,644 lbs-force	34 kN		
Compressor	Make & Model	AIRMAN PDS265-S37F		
	Type	1-Stage Screw Compressor		
	Discharge Airflow	353 cfm	10.0 m ³ /min	
Discharge Pressure	149 psi	1.03 MPa		
Dust Collector	Model	A885-44		
	Suction Capacity	1,413 cfm	40 m ³ /min	
	Number of Filter Elements	6		
	Dust Removal System	Automatic Air Pulse Jet		
Suction Cap	Slide Type			
Rod Changer	Model	GR803		
	Number of Rod Storage	For 12': 7 / For 14': 6		
	Rod Diameter	1.8", 2.0"	45 mm, 51 mm	
	Number of Control Levers	1		
Bit and Rod	Bit Range	3.0' - 5.0'	76 - 127 mm	
	Rod Type	T45 / T51		
	Rod Length	12' / 14'	3,660 / 4,270 mm	
	Maximum Starter Rod Length (For 12' Specs)	14'	4,270 mm	
	Maximum Starter Rod Length (For 14' Specs)	18'	5,490 mm	
Electrics	Battery	12V; 108Ah/5h		
	Light	24V; 70W x4		
	Voltage	DC24V		
Operating Environment	Working Temperature	5° - 113° F	-15° - 45° C	
	Maximum Altitude	8,202'	2,500 m	