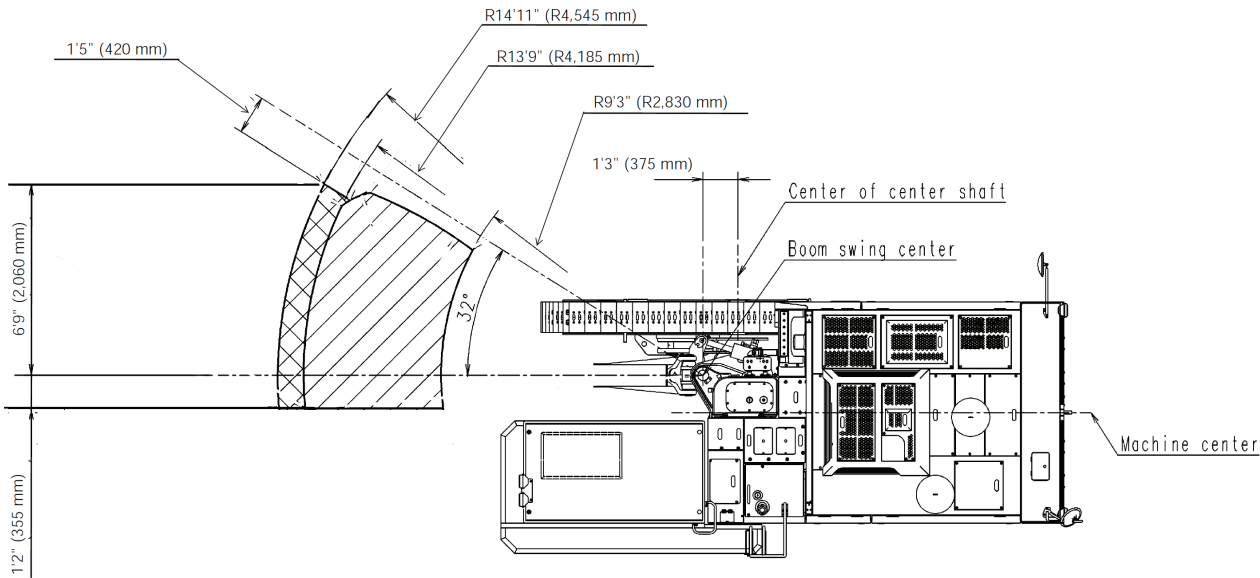


▨ Vertical drilling range on horizontal plane  
 ▩ Vertical drilling range



▨ Vertical drilling range on horizontal plane  
 ▩ Vertical drilling range