

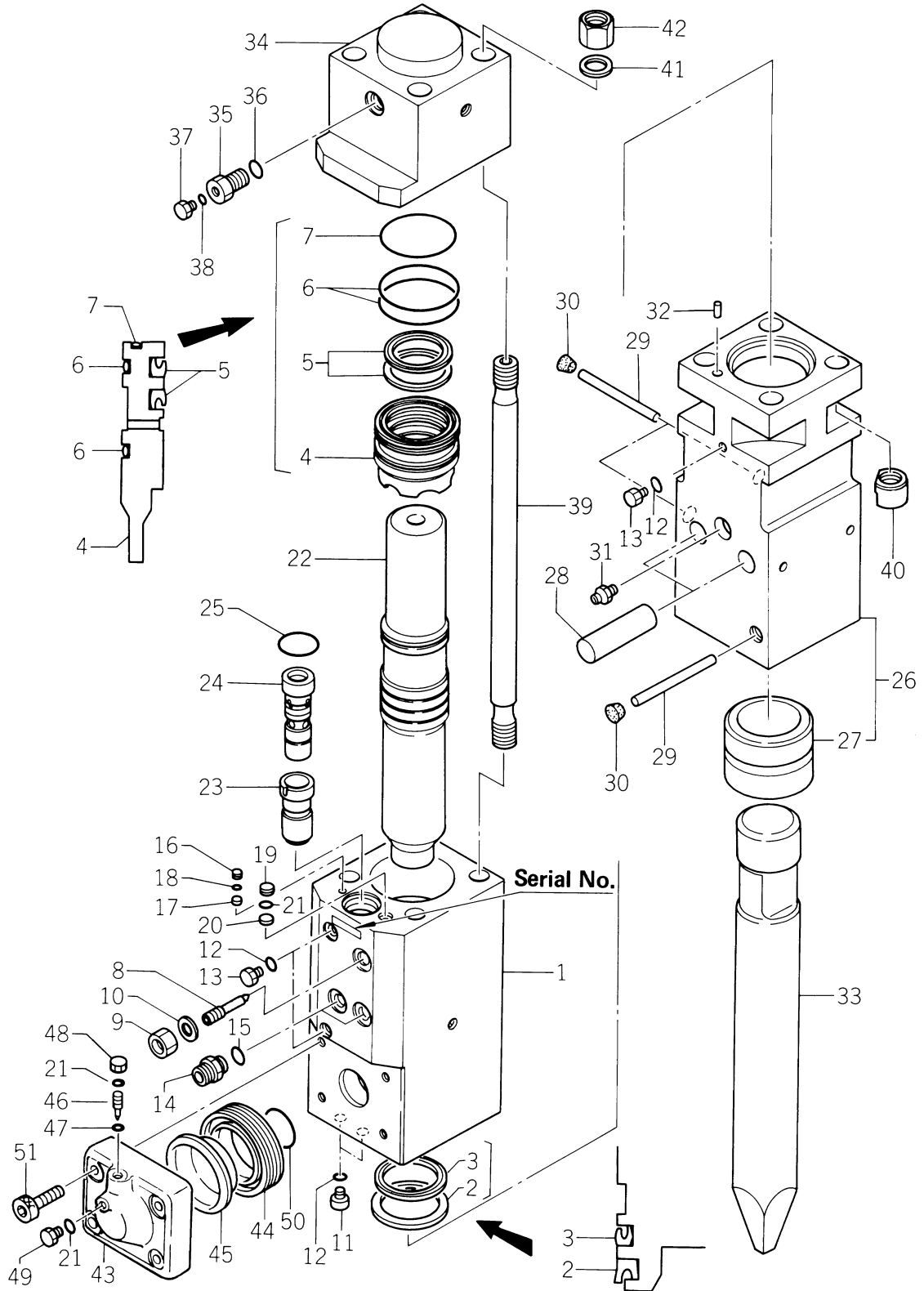


SECTION X

PARTS LIST
KHB8G SUPER II



KHB8G SUPER II **PARTS BREAKDOWN**



KHB8G SUPER II **PARTS LIST**

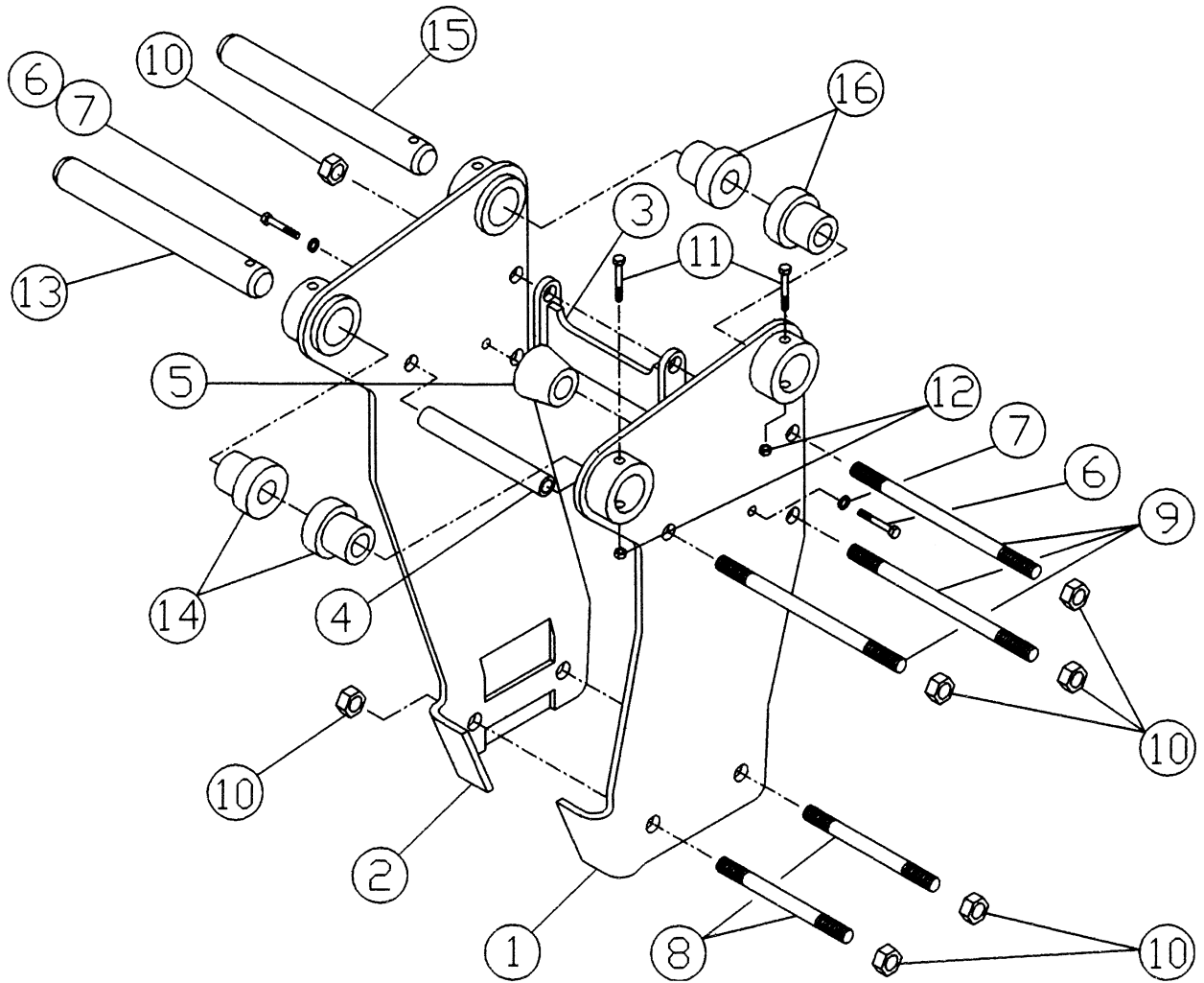


ITEM	P/N	QTY.	DESCRIPTION	ITEM	P/N	QTY.	DESCRIPTION
1	11001	1	CYLINDER	29	11020	3	STOP PIN
2	11002	1*	90 DUST SEAL	30	10545	3*	RUBBER PLUG
3	11003	1*	90 U-PACKING	31	10118	1	¼ GREASE NIPPLE
4	11004	1	SEAL RETAINER	32	10206	1	KNOCK PIN
5	11005	2*	86.5 U-PACKING	33	11035	1	BLUNT TIP
6	11006	2*	O-RING	33	11036	1	MOIL POINT
7	11007	1*	O-RING	33	11037	1	CHISEL BIT
8	10532	1	VALVE ADJUSTER	34	11018	1	BACKHEAD
9	10533A	1	SEAL NUT	35	11241	1	CHARGING VALVE
10	10534A	1*	SEAL WASHER	36	10407	1*	O-RING
11	11763	2	¼ PLUG	37	11835	1	PLUG
12	11764	5*	O-RING	38	11246	1*	O-RING
13	11009	3	PLUG	39	11012	4	THROUGH BOLT
14	15525	2	¾ CONNECTOR	40	11023	4	LOWER NUT
15	11511	2*	O-RING	41	11024	4	HARDENED WASHER
16	11765	1*	PLUG	42	11025	4	HEXAGON NUT
17	11766	1*	COVER PLATE	43	11026	1	ACCUMULATOR COVER
18	11767	1*	O-RING	44	11027	1	ACCUMULATOR BODY
19	10536	1*	PLUG	45	11028	1	DIAPHRAGM
20	10537	1*	COVER PLATE	46	11758	1	NEEDLE VALVE
21	11761	3*	O-RING	47	11762	1*	O-RING
22	11013	1	PISTON	48	11759	1	DUST CAP
23	11014	1	VALVE	49	11760	1	CHARGE PLUG
24	11015	1	VALVE PLUG	50	10142	1*	O-RING
25	10112	1*	O-RING	51	11031	4	SOCKET BOLT
26	11016	1	FRONTHEAD		10490	2	HOSE WHIP ASSEMBLY
27	11017	1	FRONT BUSHING		11033	1	SEAL KIT
28	11019	2	ROD PIN (RETAINER)		11032	1	SERVICE TOOL KIT

NOTE: PARTS WITH THE SYMBOL "*" IN THE QTY. COLUMN ARE SUPPLIED AS A SEAL KIT.



MOUNTING BRACKET
KHB8G SUPER II



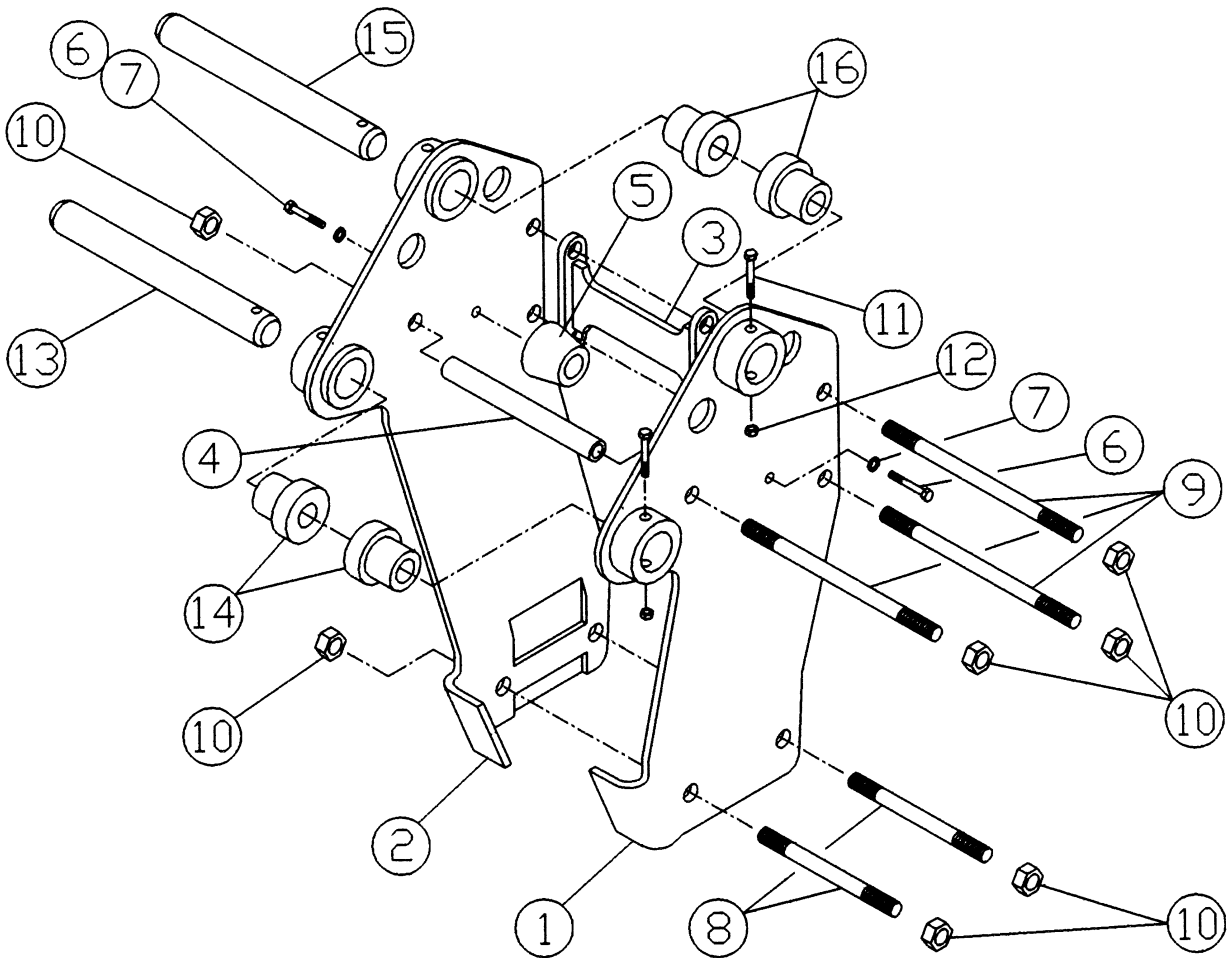


MOUNTING BRACKET PARTS LIST
KHB8G SUPER II

<u>ITEM</u>	<u>P/N</u>	<u>QTY.</u>	<u>DESCRIPTION</u>
1	10975	1	RIGHT-HAND SIDE PLATE
2	10977	1	LEFT-HAND SIDE PLATE
3	11084	1	SIDE PLATE BRACE
4	6881-1175	1	PIPE SPACER 11.75" LONG
5	18425	2	VIBRATION DAMPENER
6	9658	2	½ X 2.0" HEX BOLT
7	6412	2	½ LOCK WASHER
8	18239	2	1 ½ - 12 UNC STUD
9	18524	3	1 ½ - 12 UNC STUD
10	2257	10	1 ½ STOVER HEX NUT
11	6422	2	½ - 13 X 5" HEX BOLT
12	7228	2	½ - 13 LOCK NUT
13	Refer to Mounting Pin Kit Parts List	1	MOUNTING PIN
14		2	MOUNTING BUSHING
15		1	MOUNTING PIN
16		2	MOUNTING BUSHING



MOUNTING BRACKET
KHB8G SUPER II
Optional Offset Style



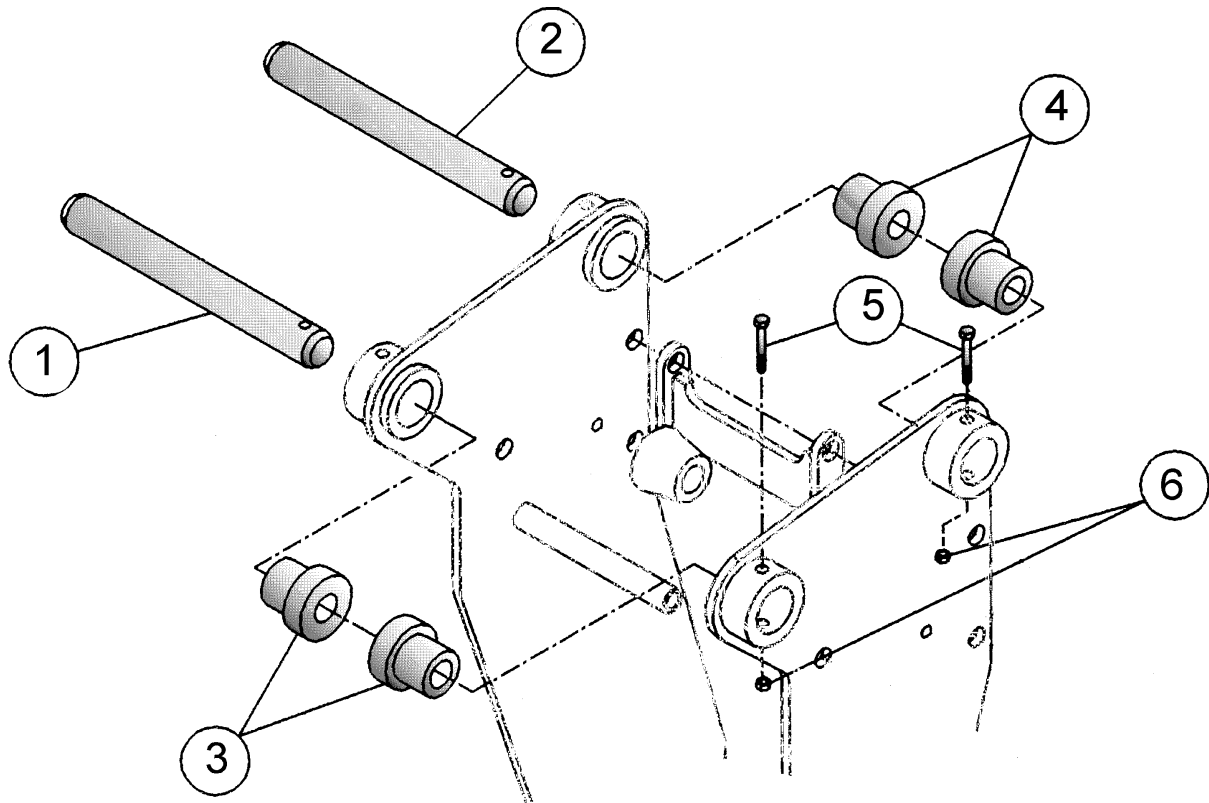


MOUNTING BRACKET PARTS LIST
KHB8G SUPER II
Optional Offset Style

<u>ITEM</u>	<u>P/N</u>	<u>QTY.</u>	<u>DESCRIPTION</u>
1	11080	1	RIGHT-HAND SIDE PLATE
2	11082	1	LEFT-HAND SIDE PLATE
3	11084	1	SIDE PLATE BRACE
4	6881-1175	1	PIPE SPACER 11.75" LONG
5	18425	2	VIBRATION DAMPENER
6	9658	2	½ X 2.0" HEX BOLT
7	6412	2	½ LOCK WASHER
8	18239	2	1 ½ - 12 UNC STUD
9	18524	3	1 ½ - 12 UNC STUD
10	2257	10	1 ½ STOVER HEX NUT
11	6422	2	½ - 13 X 5" HEX BOLT
12	7228	2	½ - 13 LOCK NUT
13	Refer to Mounting Pin Kit Parts List	1	MOUNTING PIN
14		2	MOUNTING BUSHING
15		1	MOUNTING PIN
16		2	MOUNTING BUSHING



MOUNTING PIN KIT
KHB8G SUPER II





MOUNTING PIN KIT PARTS LIST
KHB8G SUPER II

Serial Number

Base Machine Make: _____
Base Machine Model: _____
Dipperstick Pin Diameter: _____
Link Pin Diameter: _____
Dipperstick Width: _____
Link Pin Width: _____

MOUNTING KIT PART NO: _____

Consisting of the following:

<u>ITEM</u>	<u>P/N</u>	<u>QTY.</u>	<u>DESCRIPTION</u>
1	_____	1	_____ DIA. MOUNTING PIN x 17" LONG
2	_____	1	_____ DIA. MOUNTING PIN x 17" LONG
3	_____	2	_____ DIA. MOUNTING BUSHING X _____ LG.
4	_____	2	_____ DIA. MOUNTING BUSHING X _____ LG.
5	<u>6422</u>	2	½ -13 x 5" BOLT
6	<u>7228</u>	2	½ -13 LOCKNUT

