

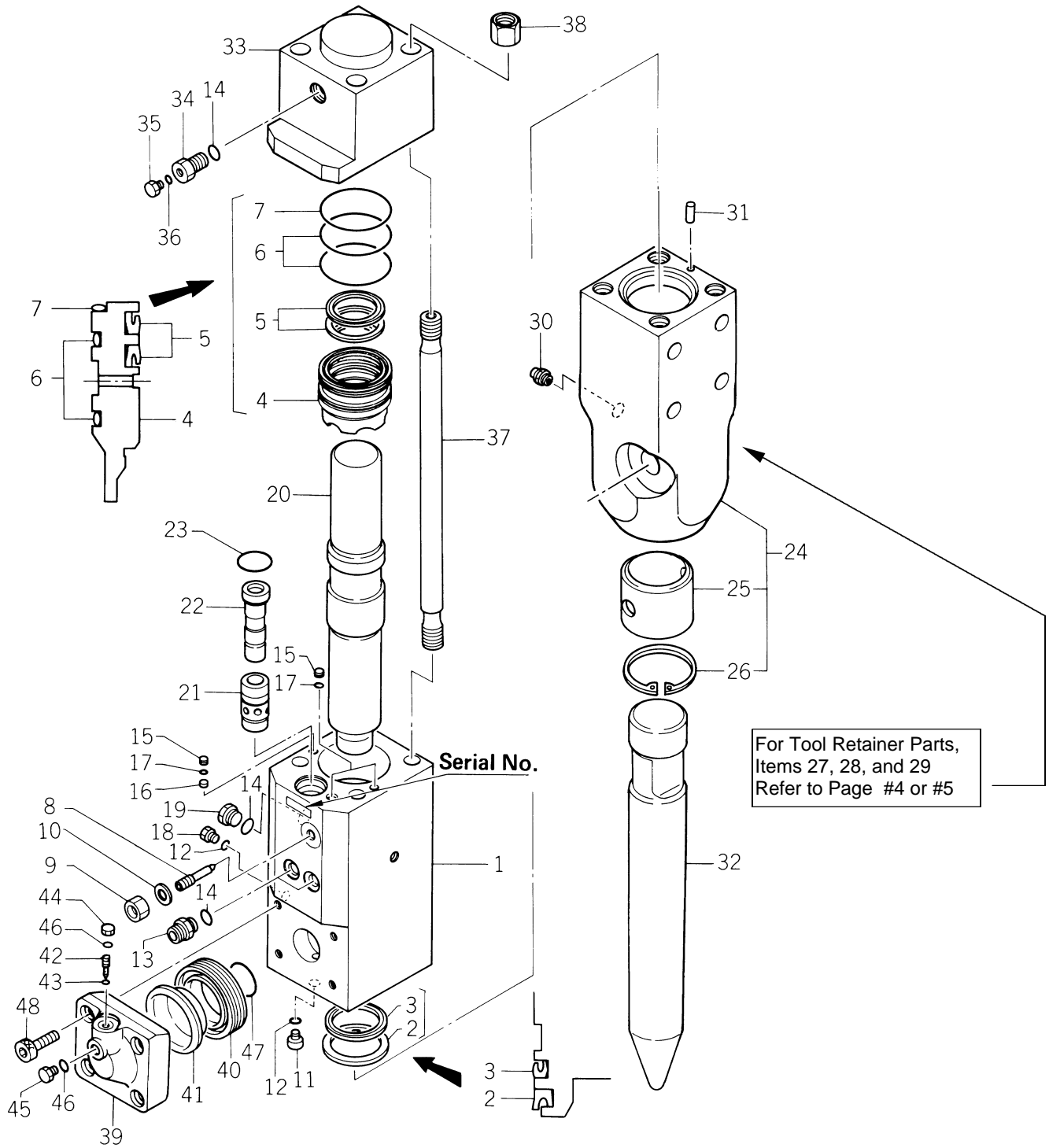


SECTION VIII

PARTS LIST
KHB3G SUPER II



KHB3G SUPER II **PARTS BREAKDOWN**



KHB3G SUPER II **PARTS LIST**

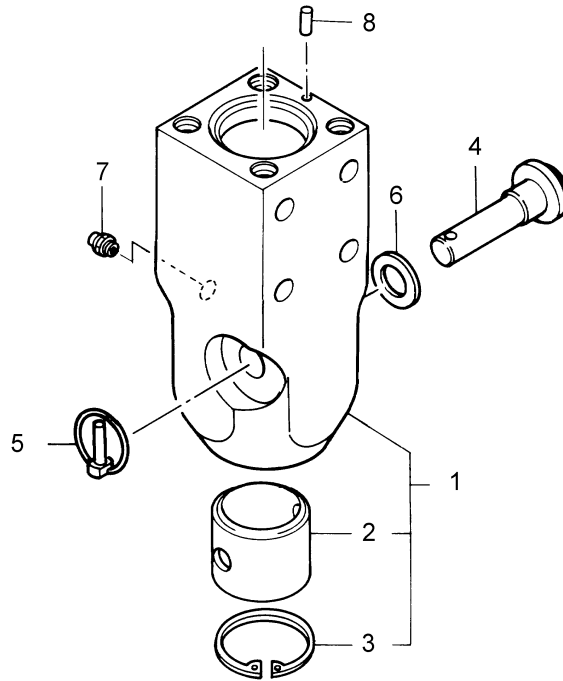


ITEM	P/N	QTY.	DESCRIPTION	ITEM	P/N	QTY.	DESCRIPTION
1	10625	1	CYLINDER	28	-----	1	(Refer to Next Page)
2	10626	1*	60 DUST SEAL	29	-----	1	(Refer to Next Page)
3	10627	1*	60 U-PACKING	30	10650	1	¼ GREASE NIPPLE
4	10628	1	SEAL RETAINER	31	10106	1	KNOCK PIN
5	10629	2*	57 U-PACKING	32	10693	1	BLUNT TIP
6	10630	2*	O-RING	32	10694	1	MOIL POINT
7	10142	1*	O-RING	32	10695	1	CHISEL BIT
8	12231	1	VALVE ADJUSTER	33	10651	1	BACKHEAD
9	10533	1	SEAL NUT	34	11241	1	CHARGING VALVE
10	10534A	1*	SEAL WASHER	35	11835	1	PLUG
11	11763	2	¼ PLUG	36	11246	1*	O-RING
12	11764	2*	O-RING	37	10652	4	THROUGH BOLT
13	15287	2	PORT ADAPTER	38	10653	4	HEXAGON NUT
14	10407	4*	O-RING	39	10654	1	ACCUMULATOR COVER
15	11765	3*	PLUG	40	10556	1	ACCUMULATOR BODY
16	11766	1*	COVER PLATE	41	10557	1	DIAPHRAGM
17	11767	3*	O-RING	42	11758	1	NEEDLE VALVE
18	11763	1	PLUG	43	11762	1*	O-RING
19	12232	1	½ PLUG	44	12254	1	DUST CAP
20	10638	1	PISTON	45	11760	1	CHARGE PLUG
21	10639	1	VALVE	46	11761	1*	O-RING
22	10640	1	VALVE PLUG	47	10655	1*	O-RING
23	10641	1*	O-RING	48	10558	4	SOCKET BOLT
24	-----	1	(Refer to Next Page)		10581	2	HOSE WHIP ASSEMBLY
25	10643	1	FRONT BUSHING		10660	1	SEAL KIT
26	10644	1	SNAP RING		10662	1	SERVICE TOOL KIT
27	-----	1	(Refer to Next Page)				

NOTE: PARTS WITH THE SYMBOL "*" IN THE QTY. COLUMN ARE SUPPLIED AS A SEAL KIT.

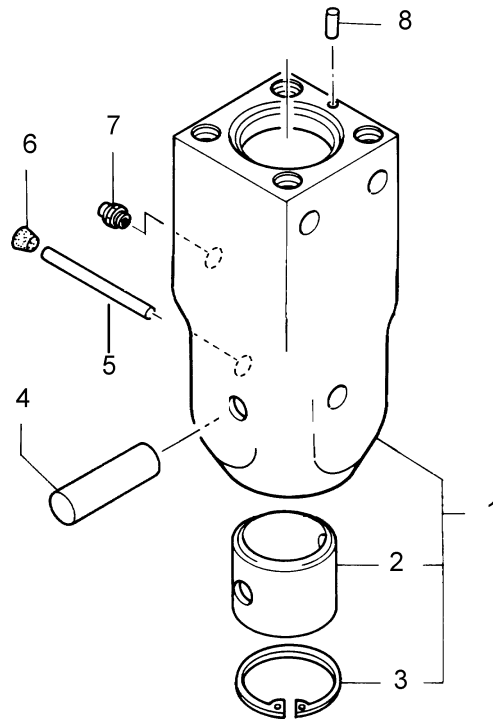


RING PIN STYLE FRONTHEAD
KHB3G SUPER II



ITEM	PART NUMBER	QUANTITY	DESCRIPTION
1	10642	1	FRONTHEAD
2	10643	1	FRONT BUSHING
3	10644	1	SNAP RING
4	10645	1	ROD PIN (RETAINER)
5	10646	1	RING PIN
6	10647	1	RUBBER WASHER
7	10650	1	1/8 GREASE NIPPLE
8	10106	1	KNOCK PIN

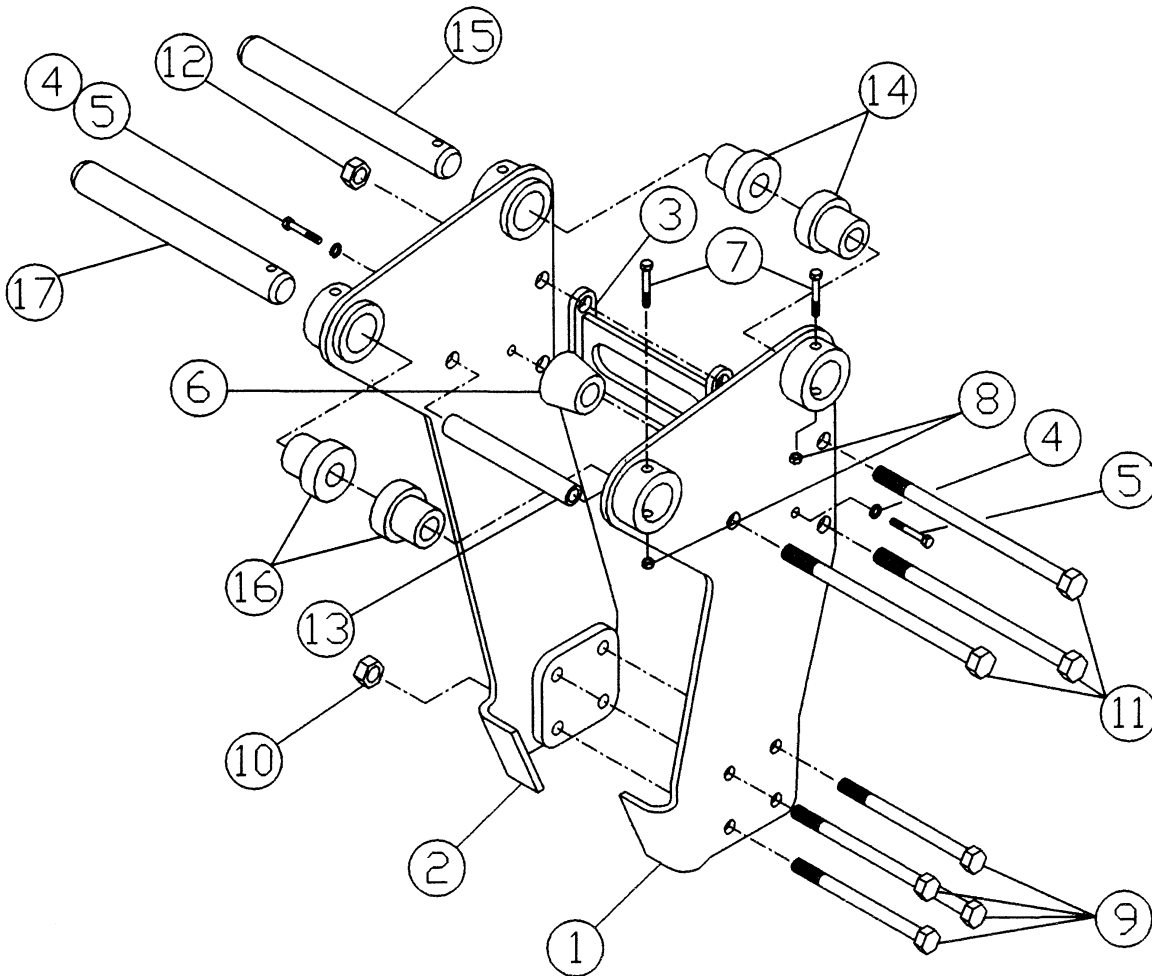
STOP PIN STYLE FRONTHEAD
KHB3G SUPER II



<i>ITEM</i>	<i>PART NUMBER</i>	<i>QUANTITY</i>	<i>DESCRIPTION</i>
1	10656	1	FRONTHEAD
2	10643	1	FRONT BUSHING
3	10644	1	SNAP RING
4	10657	1	ROD PIN (RETAINER)
5	10658	1	STOP PIN
6	10659	1	PLUG, THREADED
7	10650	1	1/8 GREASE NIPPLE
8	10106	1	KNOCK PIN



MOUNTING BRACKET
KHB3G SUPER II



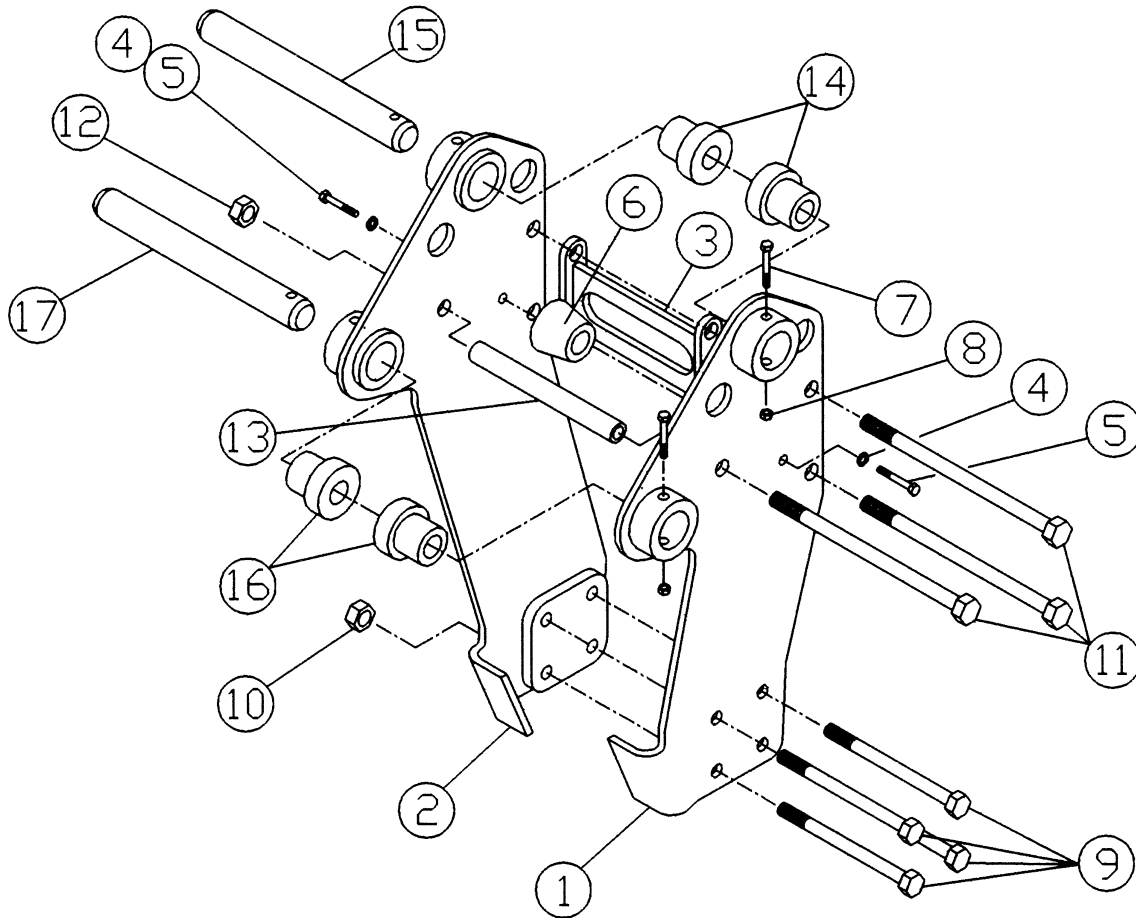


MOUNTING BRACKET PARTS LIST
KHB3G SUPER II

<u>ITEM</u>	<u>P/N</u>	<u>QTY.</u>	<u>DESCRIPTION</u>
1	10665	1	RIGHT-HAND SIDE PLATE
2	10667	1	LEFT-HAND SIDE PLATE
3	10684	1	SIDE PLATE BRACE
4	6412	2	½ LOCK WASHER
5	6427	2	½ X 1.5" HEX BOLT
6	18427	2	VIBRATION DAMPENER
7	6422	2	½ - 13 X 5" HEX BOLT
8	7228	2	½ - 13 LOCK NUT
9	10696	4	7/8"- 9 X 9" HEX BOLT
10	10189	4	7/8"- 9 LOCK NUT
11	10595	3	1" - 8 x 14.5" BOLT
12	2584	3	1" - 8 STOVER HEX NUT
13	8831-1175	1	1" PIPE SPACER 11.75" LONG
14	Refer to	1	MOUNTING BUSHING
15	Mounting	2	MOUNTING PIN
16	Pin Kit	1	MOUNTING BUSHING
17	Parts List	2	MOUNTING PIN



MOUNTING BRACKET
KHB3GO SUPER II
Optional Offset Style



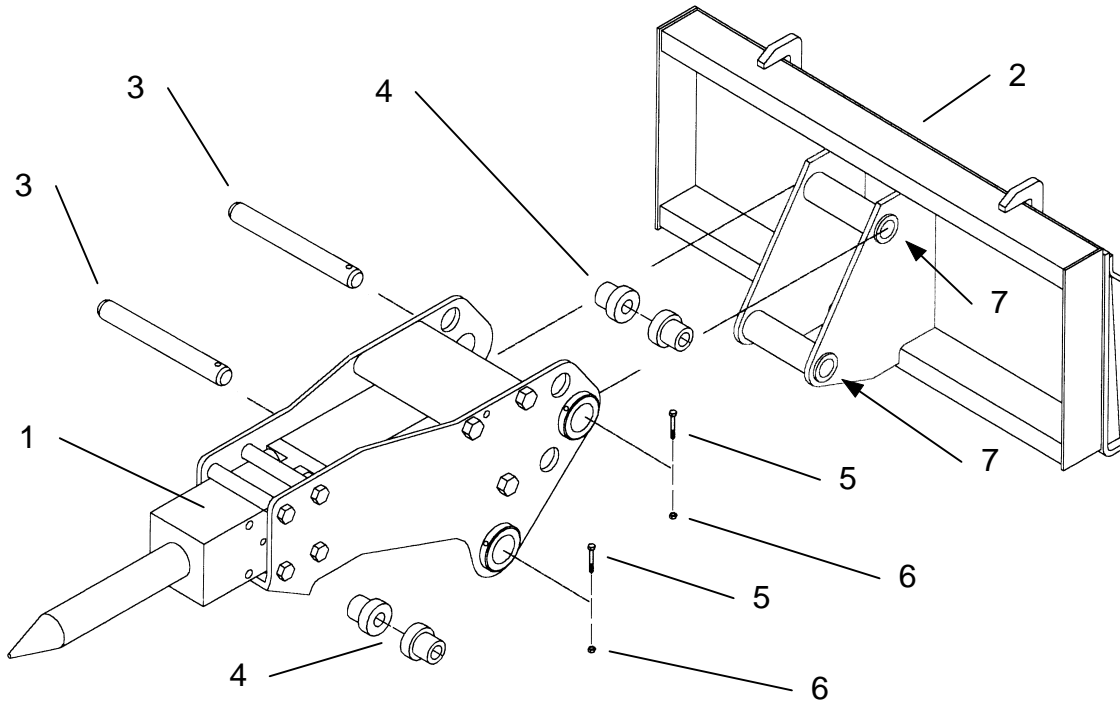


MOUNTING BRACKET PARTS LIST
KHB3GO SUPER II
Optional Offset Style

<u>ITEM</u>	<u>P/N</u>	<u>QTY.</u>	<u>DESCRIPTION</u>
1	10680	1	RIGHT-HAND SIDE PLATE
2	10681	1	LEFT-HAND SIDE PLATE
3	10684	1	SIDE PLATE BRACE
4	6412	2	½ LOCK WASHER
5	6427	2	½ X 1.5" HEX BOLT
6	18427	2	VIBRATION DAMPENER
7	6422	2	½ - 13 X 5" HEX BOLT
8	7228	2	½ - 13 LOCK NUT
9	10696	4	7/8"- 9 X 9" HEX BOLT
10	10189	4	7/8"- 9 LOCK NUT
11	10595	3	1" - 8 x 14.5" BOLT
12	2584	3	1" - 8 STOVER HEX NUT
13	8831-1175	1	1" PIPE SPACER 11.75" LONG
14	Refer to	1	MOUNTING BUSHING
15	Mounting	2	MOUNTING PIN
16	Pin Kit	1	MOUNTING BUSHING
17	Parts List	2	MOUNTING PIN

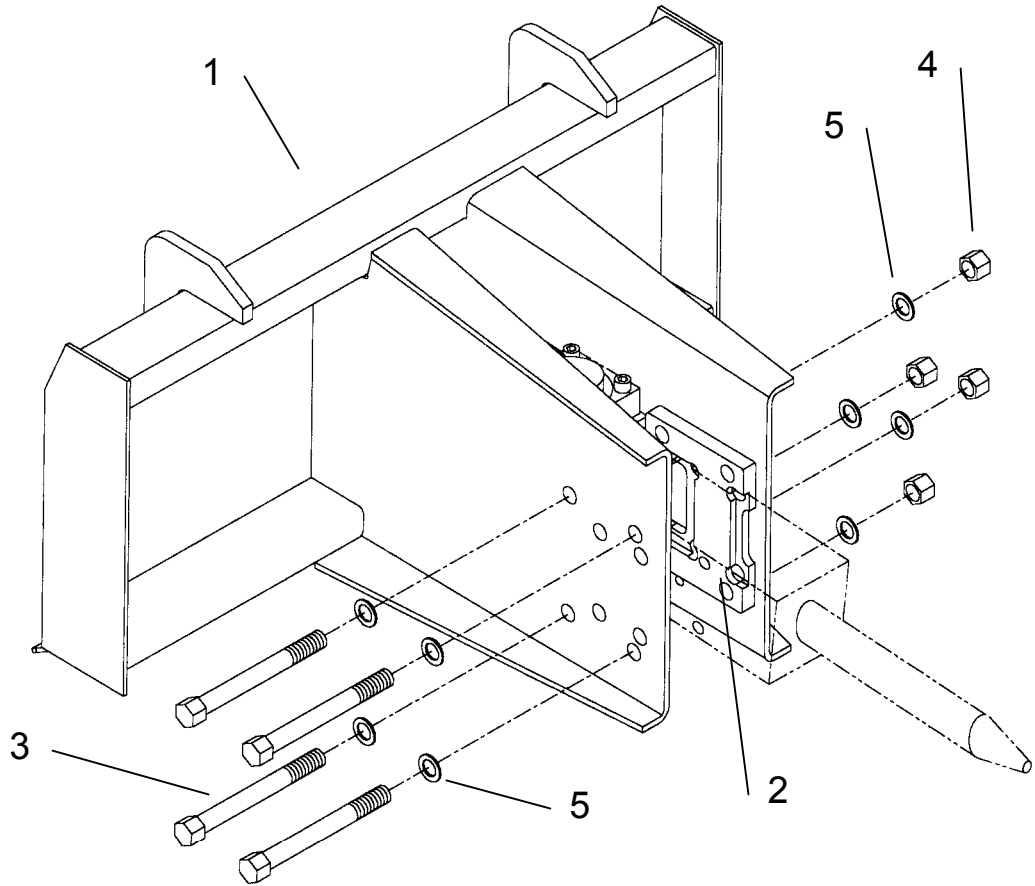


TWO-PIECE (PIN-ON)
QUICK ATTACH BRACKET
For Offset Style
KHB3GO Super II



ITEM	PART NUMBER	QUANTITY	DESCRIPTION
1	KHB3GO	1	HAMMER COMPLETE, OFFSET STYLE
2	KM _____	1	QUICK ATTACH BRACKET (Specify)
3	16101	2	MOUNTING PIN, 1 1/2" x 17"
4	14129	4	MOUNTING BUSHING, 1.51" x 2.45"
5	6422	2	KEEPER BOLT, 1/2"-13 x 5"
6	7228	2	LOCK NUT, 1/2"-13
7	10154	4	WEAR BUSHING (Not Shown)
8	15555	2	WHIP HOSE (Not Shown)

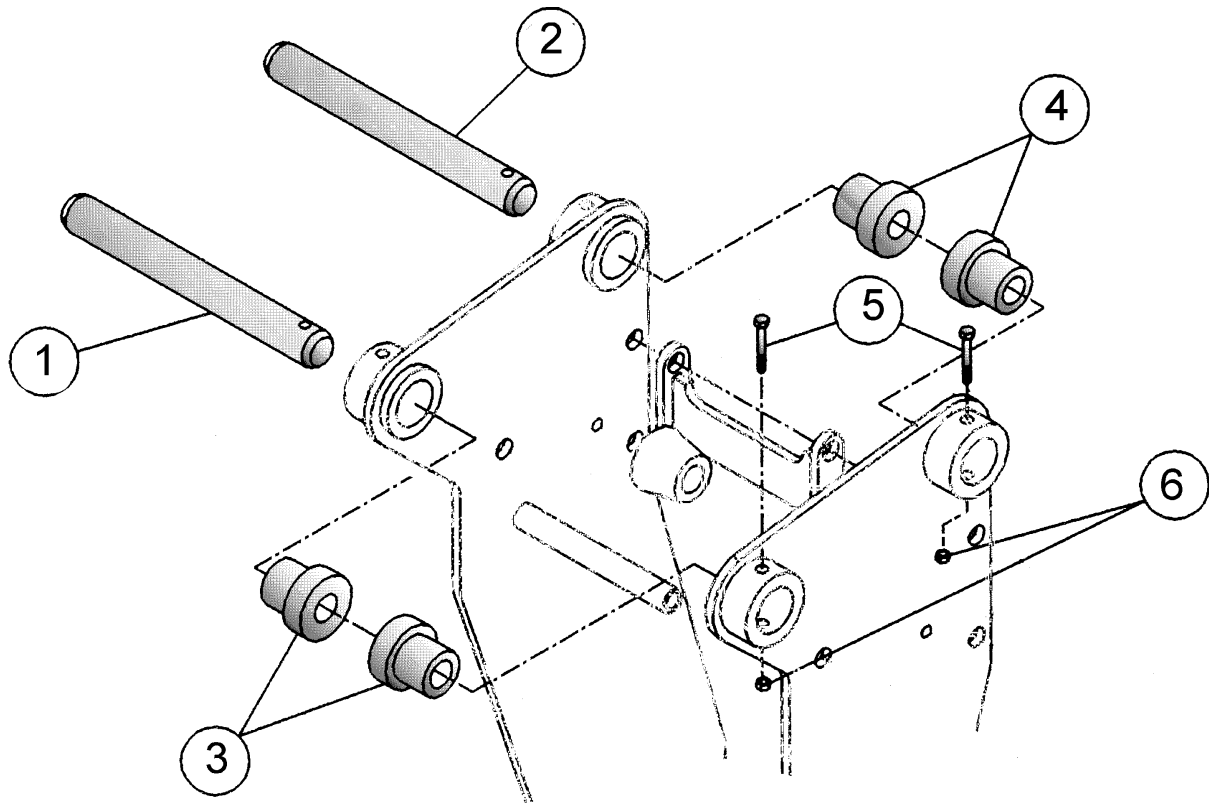
ONE-PIECE
QUICK ATTACH BRACKET
For KHB3G Super II



ITEM	PART NUMBER	QUANTITY	DESCRIPTION
1	KM _____	1	QUICK ATTACH BRACKET (Specify)
2	18271	2	MOUNTING BLOCK
3	10287	4	BOLT, 7/8" - 9 x 9 1/2"
4	10189	4	LOCK NUT, 7/8" - 9
5	7236	8	FLAT WASHER
6	15875	2	WHIP HOSE (Not Shown)



MOUNTING PIN KIT
KHB3G SUPER II





MOUNTING PIN KIT PARTS LIST
KHB3G SUPER II

Serial Number

Base Machine Make: _____
Base Machine Model: _____
Dipperstick Pin Diameter: _____
Link Pin Diameter: _____
Dipperstick Width: _____
Link Pin Width: _____

MOUNTING KIT PART NO: _____

Consisting of the following:

<u>ITEM</u>	<u>P/N</u>	<u>QTY.</u>	<u>DESCRIPTION</u>
1	_____	1	_____ DIA. MOUNTING PIN x 17" LONG
2	_____	1	_____ DIA. MOUNTING PIN x 17" LONG
3	_____	2	_____ DIA. MOUNTING BUSHING X _____ LG.
4	_____	2	_____ DIA. MOUNTING BUSHING X _____ LG.
5	6422	2	1/2" -13 x 5" BOLT
6	7228	2	1/2" -13 UNC LOCKNUT

