

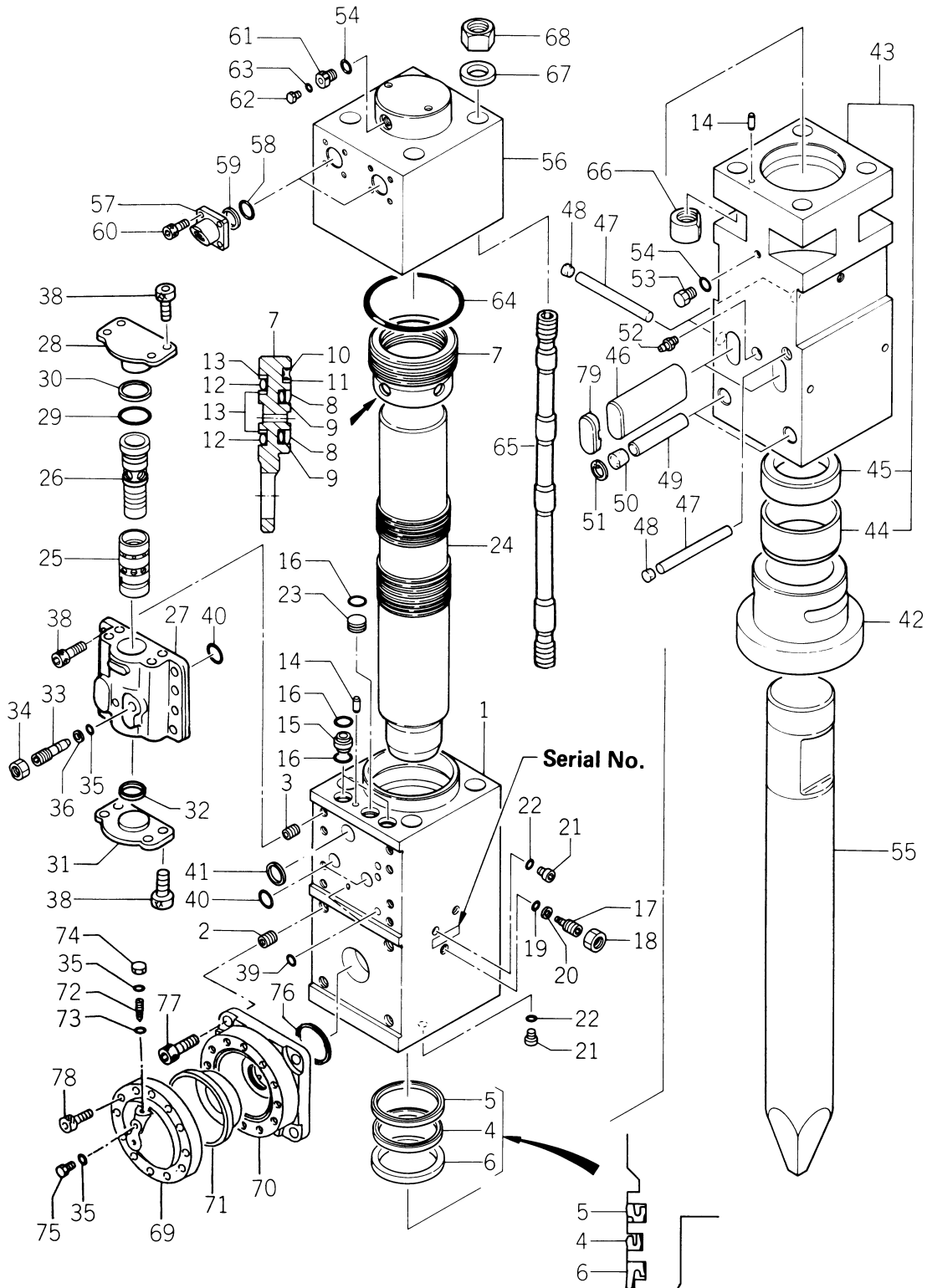


SECTION XV

PARTS LIST
KHB-30G SUPER II



KHB-30G SUPER II **PARTS BREAKDOWN**



KHB-30G SUPER II **PARTS LIST**

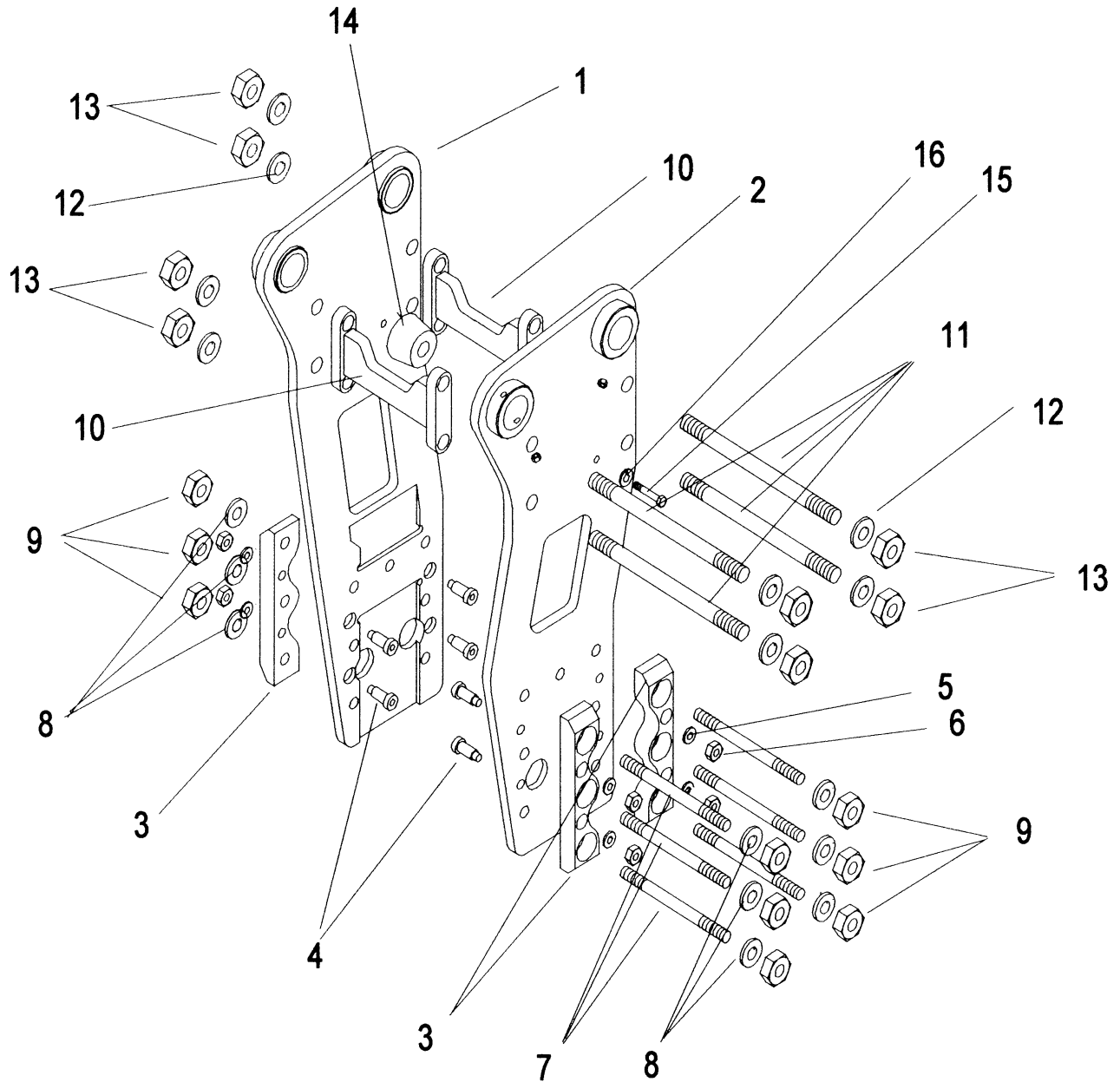


ITEM	P/N	QTY.	DESCRIPTION	ITEM	P/N	QTY.	DESCRIPTION
1	10300	1	CYLINDER	44	11330	1	THRUST BUSHING
2	11475	4	M30 HELI-SERT INSERT	45	11331	1	THRUST RING
3	11776	8	M20 HELI-SERT INSERT	46	11332	2	ROD PIN
4	10301	1*	155 U-PACKING	47	11333	3	STOP PIN
5	10302	1*	155 BUFFER RING	48	11734	3*	RUBBER PLUG
6	10303	1*	155 DUST SEAL	49	11117	2	FRONT HEAD PIN
7	10304	1	SEAL RETAINER	50	11119	2	RUBBER PLUG
8	10305	2*	150 SLIDE PACKING	51	11123	2	SNAP RING
9	10306	2*	O-RING	52	11122	1	1/4 GREASE NIPPLE
10	10307	1*	135 SEAL RING	53	11745	1	1/2 PLUG
11	10308	1*	BACK-UP RING	54	10407	2*	O-RING
12	11310	2*	O-RING	55	11335	1	BLUNT TIP
13	11311	3*	BACK-UP RING	55	11336	1	MOIL POINT
14	10206	2	KNOCK PIN	55	11337	1	CHISEL BIT
15	11312	2*	BUSHING	56	10333	1	BACKHEAD
16	11313	5*	O-RING	57	11739	2	FLANGE ADAPTER
17	10220	1	STROKE ADJUSTER	58	10734	2*	O-RING
18	10221	1	22 NUT	59	10735	2*	BACK-UP RING
19	10422	1*	O-RING	60	11740	8	14 FINE SOCKET BOLT
20	10423	1*	BACK-UP RING	61	11241	1	CHARGE VALVE
21	11463	4	1/4 PLUG	62	11835	1	PLUG
22	11764	4*	O-RING	63	11246	1*	O-RING
23	10311	1*	PLUG	64	11347	1*	O-RING
24	11314	1	PISTON	65	10334	4	THROUGH BOLT
25	10315	1	VALVE	66	10335	4	NUT
26	10316	1	VALVE PLUG	67	10336	4	WASHER
27	10317	1	VALVE HOUSING	68	10337	4	HEXAGON NUT
28	10318	1	VALVE HOUSING COVER	69	10343	1	ACCUMULATOR COVER
29	11425	1*	O-RING	70	10342	1	ACCUMULATOR BODY
30	11426	1*	BACK-UP RING	71	11755	1	DIAPHRAGM
31	10319	1	COVER PLATE	72	11758	1	VALVE
32	10324	1*	FACE SEAL	73	11762	1*	O-RING
33	10321	1	VALVE ADJUSTER	74	11759	1	CAP
34	10322	1	JAM NUT	75	11760	1	PLUG
35	11761	3*	O-RING	76	11662	1*	FACE SEAL
36	11822	1*	BACKUP RING	77	11457	4	30 SOCKET BOLT
38	11721	16	SOCKET BOLT	78	10348	12	20 SOCKET BOLT
39	11825	2*	O-RING	79	10323	4	DUST PLUG
40	11534	3*	O-RING		12381	2	HOSE WHIP ASSEMBLY
41	11667	1*	FACE SEAL		10344	1	SEAL KIT
42	11328	1	FRONT COVER		10345	1	SERVICE TOOL KIT
43	10326	1	FRONT HEAD				

NOTE: PARTS WITH THE SYMBOL "*" IN THE QTY. COLUMN ARE SUPPLIED AS A SEAL KIT.



MOUNTING BRACKET **KHB-30G SUPER II**



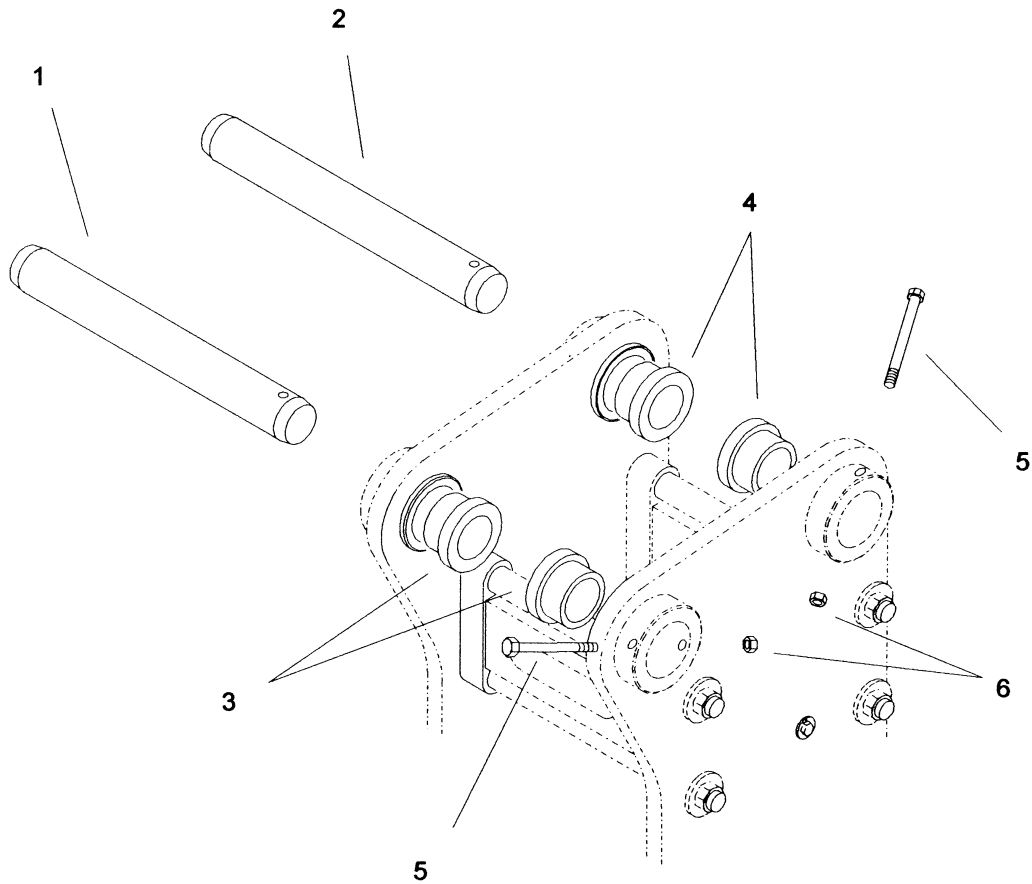


MOUNTING BRACKET PARTS LIST
KHB-30G SUPER II

<u>ITEM</u>	<u>P/N</u>	<u>QTY.</u>	<u>DESCRIPTION</u>
1	11370	1	RIGHT-HAND SIDE PLATE
2	11372	1	LEFT-HAND SIDE PLATE
3	11344	4	BOLT PROTECTOR
4	11342	8	1" SHOULDER BOLT (1 3/4" LONG)
5	10278	8	3/4" HARDENED WASHER
6	2025	8	3/4" -10 NC NUT
7	18884	6	1 7/8" -8 UNC STUD, CD THREAD
8	11266	12	1 7/8" HARDENED WASHER
9	11334	12	1 7/8" -8 UNC HEAVY HEX NUT
10	11365	2	SIDE PLATE BRACE
11	18460	4	2" -8 UNRC STUD
12	11267	8	2" HARDENED WASHER
13	11339	8	2" -8 UNC HEAVY HEX NUT
14	18430	2	VIBRATION DAMPENER
15	9659	2	5/8" -11 UNC BOLT
16	9847	2	5/8" LOCKWASHER



MOUNTING PIN KIT
KHB-30G SUPER II





MOUNTING PIN KIT PARTS LIST
KHB-30G SUPER II

Serial Number

Base Machine Make: _____
Base Machine Model: _____
Dipperstick Pin Diameter: _____
Link Pin Diameter: _____
Dipperstick Width: _____
Link Pin Width: _____

MOUNTING KIT PART NO: _____

Consisting of the following:

<u>ITEM</u>	<u>P/N</u>	<u>QTY.</u>	<u>DESCRIPTION</u>
1	_____	1	_____ DIA. MOUNTING PIN x 26" LONG
2	_____	1	_____ DIA. MOUNTING PIN x 26" LONG
3	<u>12125</u>	2	_____ DIA. MOUNTING BUSHING X _____ LG.
4	<u>12125</u>	2	_____ DIA. MOUNTING BUSHING X _____ LG.
5	<u>10193</u>	2	3/4" -10 UNC BOLT
6	<u>10195</u>	2	3/4" -10 UNC LOCKNUT

