

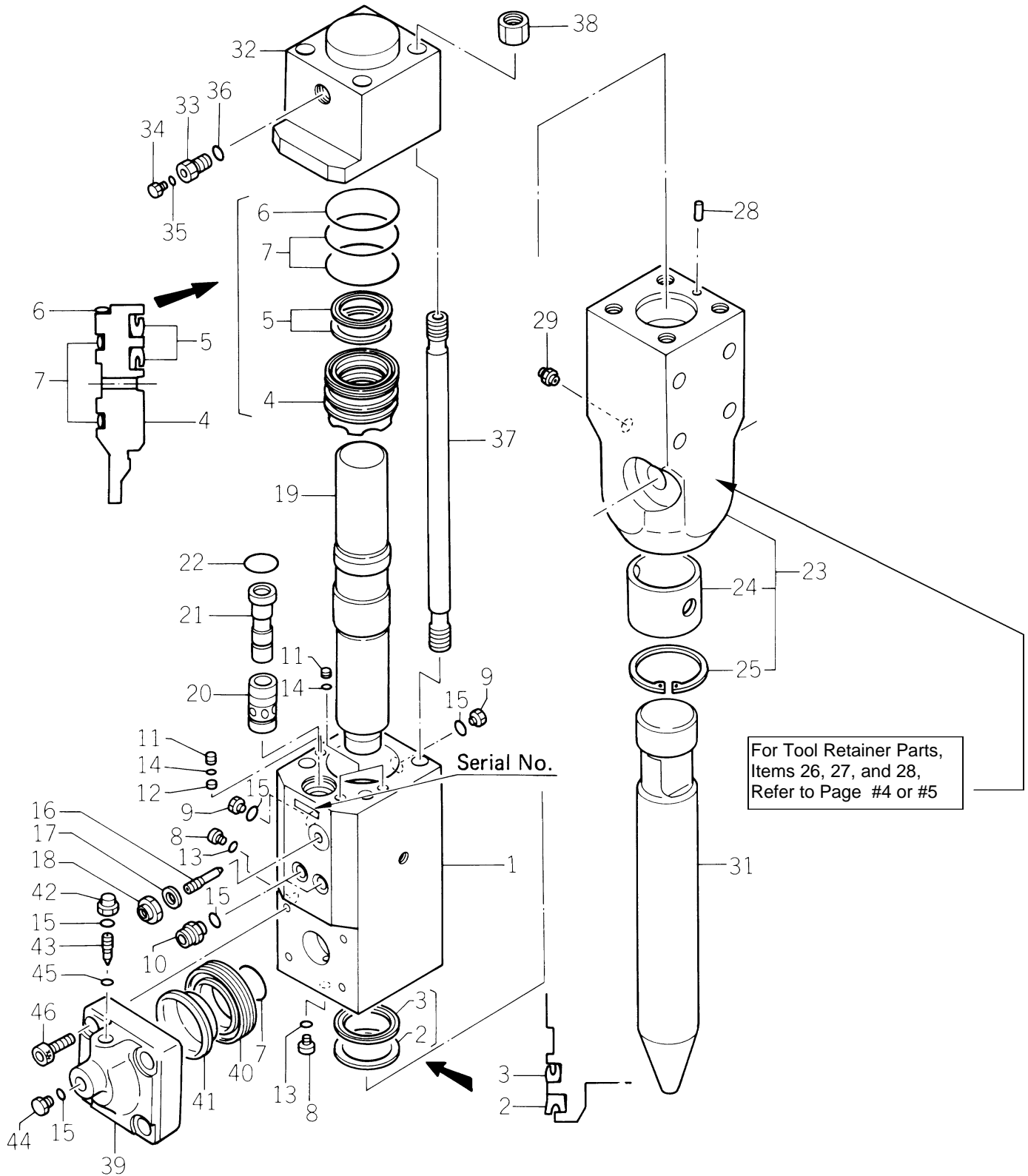


SECTION VI

PARTS LIST
KHB1G SUPER II



KHB1G SUPER II **PARTS BREAKDOWN**



KHB1G SUPER II **PARTS LIST**

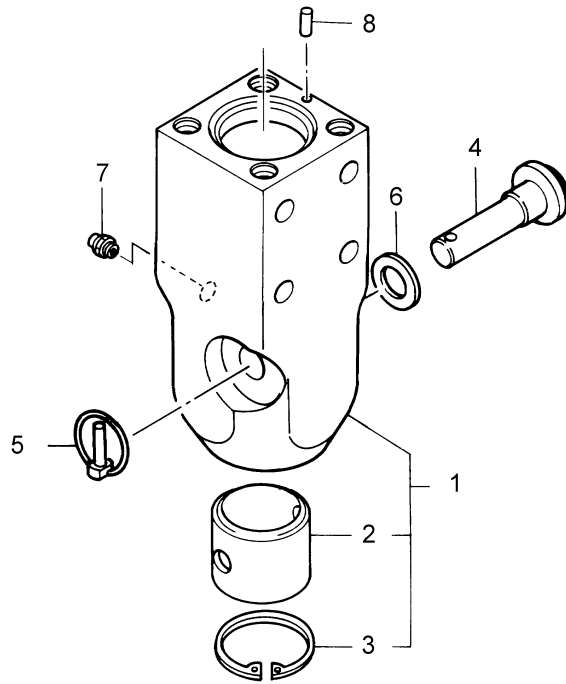


ITEM	P/N	QTY.	DESCRIPTION	ITEM	P/N	QTY.	DESCRIPTION
1	12320	1	CYLINDER	27	-----	1	(Refer to Next Page)
2	12321	1*	34 DUST SEAL	28	-----	1	(Refer to Next Page)
3	12322	1*	34 U-PACKING	29	10650	1	¼GREASE NIPPLE
4	12323	1	SEAL RETAINER	30	10106	1	KNOCK PIN
5	12324	2*	30 U-PACKING	31	12309	1	BLUNT TIP
6	11724	1*	O-RING	31	12310	1	MOIL POINT
7	11534	3*	O-RING	31	12311	1	CHISEL BIT
8	12325	2	1/8 PLUG	32	12344	1	BACKHEAD
9	12326	2	3/8 PLUG	33	11241	1	CHARGING VALVE
10	12327	1*	PORT ADAPTER	34	11835	1	PLUG
11	12328	2	PLUG	35	11246	1*	O-RING
12	12329	1*	COVER PLATE	36	10407	1*	O-RING
13	12330	2*	O-RING	37	12348	4	THROUGH BOLT
14	11767	3*	O-RING	38	12349	4	HEXAGON NUT
15	11761	6*	O-RING	39	12350	1	ACCUMULATOR COVER
16	12331	1	VALVE ADJUSTER	40	12351	1	ACCUMULATOR BODY
17	12332	1*	SEAL WASHER	41	12352	1	DIAPHRAGM
18	12333	1	SEAL NUT	42	12254	1	DUST CAP
19	12334	1	PISTON	43	11758	1	NEEDLE VALVE
20	12335	1	VALVE	44	15465	1	PLUG
21	12336	1	VALVE PLUG	45	11762	1*	O-RING
22	12538	1*	O-RING	46	12255	4	SOCKET BOLT
23	-----	1	(Refer to Next Page)		12374	2	HOSE WHIP ASSEMBLY
24	12338	1	FRONT BUSHING		12356	1	SEAL KIT
25	12339	1	SNAP RING		12355	1	SERVICE TOOL KIT
26	-----	1	(Refer to Next Page)				

NOTE: PARTS WITH THE SYMBOL "*" IN THE QTY. COLUMN ARE SUPPLIED AS A SEAL KIT.

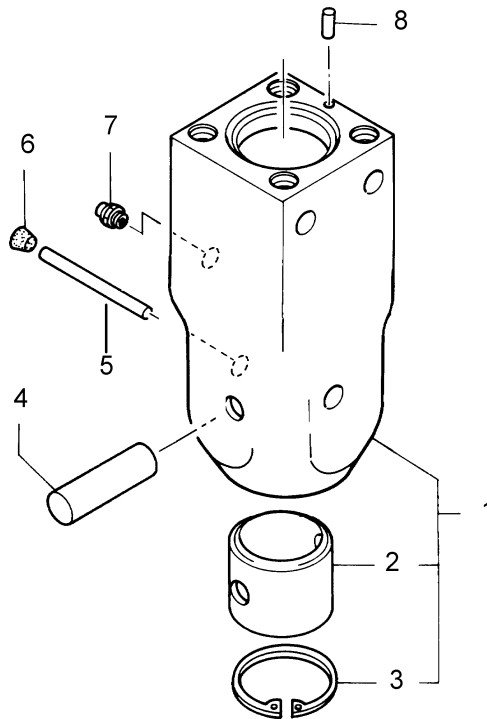


RING PIN STYLE FRONTHEAD
KHB1G SUPER II



ITEM	PART NUMBER	QUANTITY	DESCRIPTION
1	12337	1	FRONTHEAD
2	12338	1	FRONT BUSHING
3	12339	1	SNAP RING
4	12340	1	ROD PIN (RETAINER)
5	12342	1	RING PIN
6	12341	1	RUBBER WASHER
7	10650	1	1/8 GREASE NIPPLE
8	10106	1	KNOCK PIN

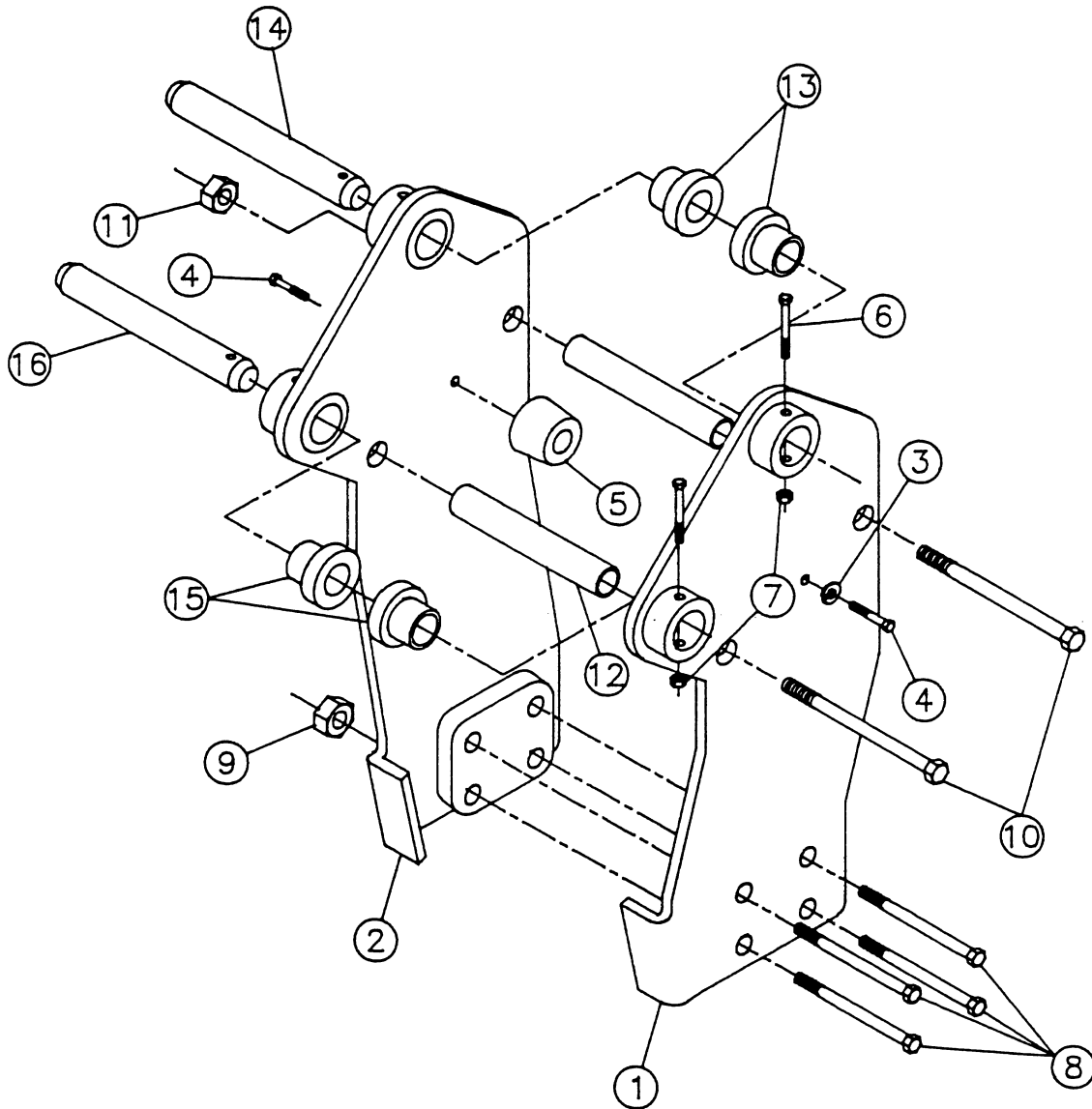
STOP PIN STYLE FRONTHEAD
KHB1G SUPER II



ITEM	PART NUMBER	QUANTITY	DESCRIPTION
1	12358	1	FRONTHEAD
2	12338	1	FRONT BUSHING
3	12339	1	SNAP RING
4	12359	1	ROD PIN (RETAINER)
5	12360	1	STOP PIN
6	12361	1	PLUG, THREADED
7	10650	1	1/8 GREASE NIPPLE
8	10106	1	KNOCK PIN



MOUNTING BRACKET
KHB1G SUPER II



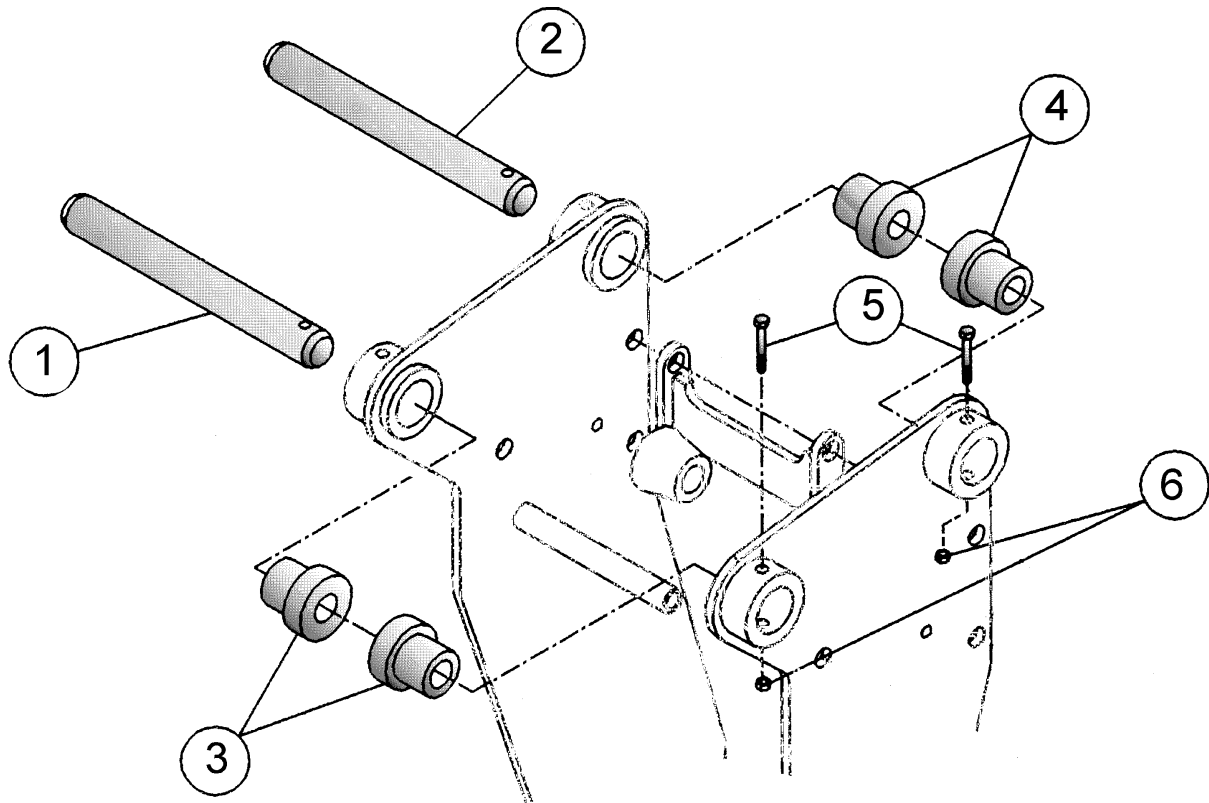


MOUNTING BRACKET PARTS LIST
KHB1G SUPER II

<u>ITEM</u>	<u>P/N</u>	<u>QTY.</u>	<u>DESCRIPTION</u>
1	12303	1	RIGHT-HAND SIDE PLATE
2	12304	1	LEFT-HAND SIDE PLATE
3	6412	2	½ LOCK WASHER
4	6427	2	½ X 1.5" HEX BOLT
5	18433	2	VIBRATION DAMPENER
6	12037	2	3/8" - 16 X 3-3/4" HEX BOLT
7	12272	2	3/8" - 16 LOCK NUT
8	13611	4	5/8" - 11 X 6 ½ HEX BOLT
9	6346	4	5/8" - 11 LOCK NUT
10	13612	2	3/4" - 10 X 10" HEX BOLT
11	10195	2	3/4" - 10 LOCK NUT
12	8824-0781	2	3/4" PIPE SPACER, 7 - 13/16" LONG
13	Refer to Mounting Pin Kit Parts List	1	MOUNTING BUSHING
14		2	MOUNTING PIN
15		1	MOUNTING BUSHING
16		2	MOUNTING PIN



MOUNTING PIN KIT
KHB1G SUPER II





MOUNTING PIN KIT PARTS LIST
KHB1G SUPER II

Serial Number

Base Machine Make: _____
Base Machine Model: _____
Dipperstick Pin Diameter: _____
Link Pin Diameter: _____
Dipperstick Width: _____
Link Pin Width: _____

MOUNTING KIT PART NO: _____

Consisting of the following:

<u>ITEM</u>	<u>P/N</u>	<u>QTY.</u>	<u>DESCRIPTION</u>
1	_____	1	_____ DIA. MOUNTING PIN x 11 - 1/8" LONG
2	_____	1	_____ DIA. MOUNTING PIN x 11 - 1/8" LONG
3	<u>12312</u>	2	_____ DIA. MOUNTING BUSHING X _____ LG.
4	<u>12312</u>	2	_____ DIA. MOUNTING BUSHING X _____ LG.
5	<u>12037</u>	2	3/8" - 16 X 3-3/4" HEX BOLT
6	<u>12272</u>	2	3/8" - 16 LOCK NUT

