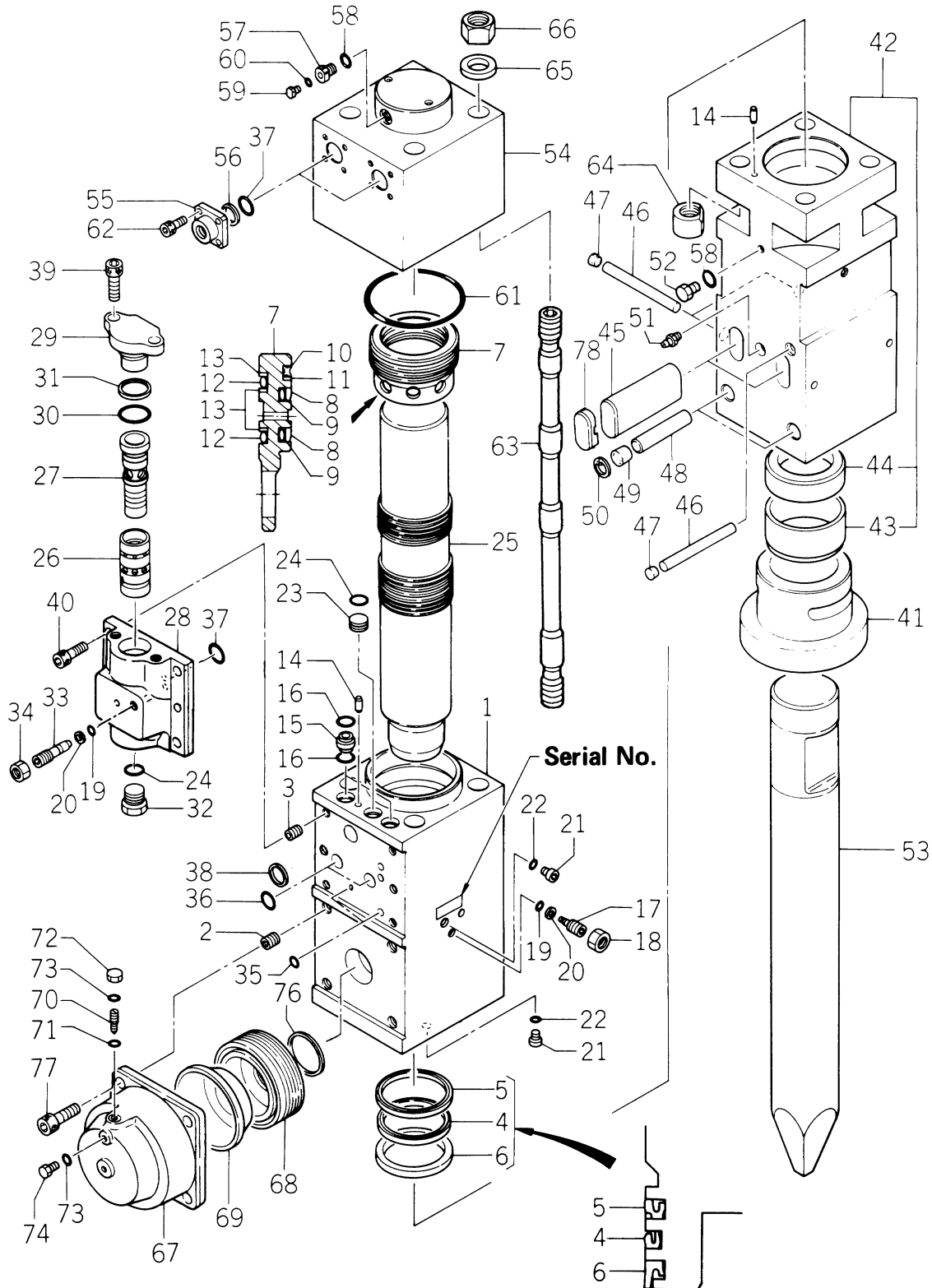


SECTION XIII

PARTS LIST
KHB-15G SUPER II



KHB-15G SUPER II PARTS BREAKDOWN



KHB-15G SUPER II

PARTS LIST

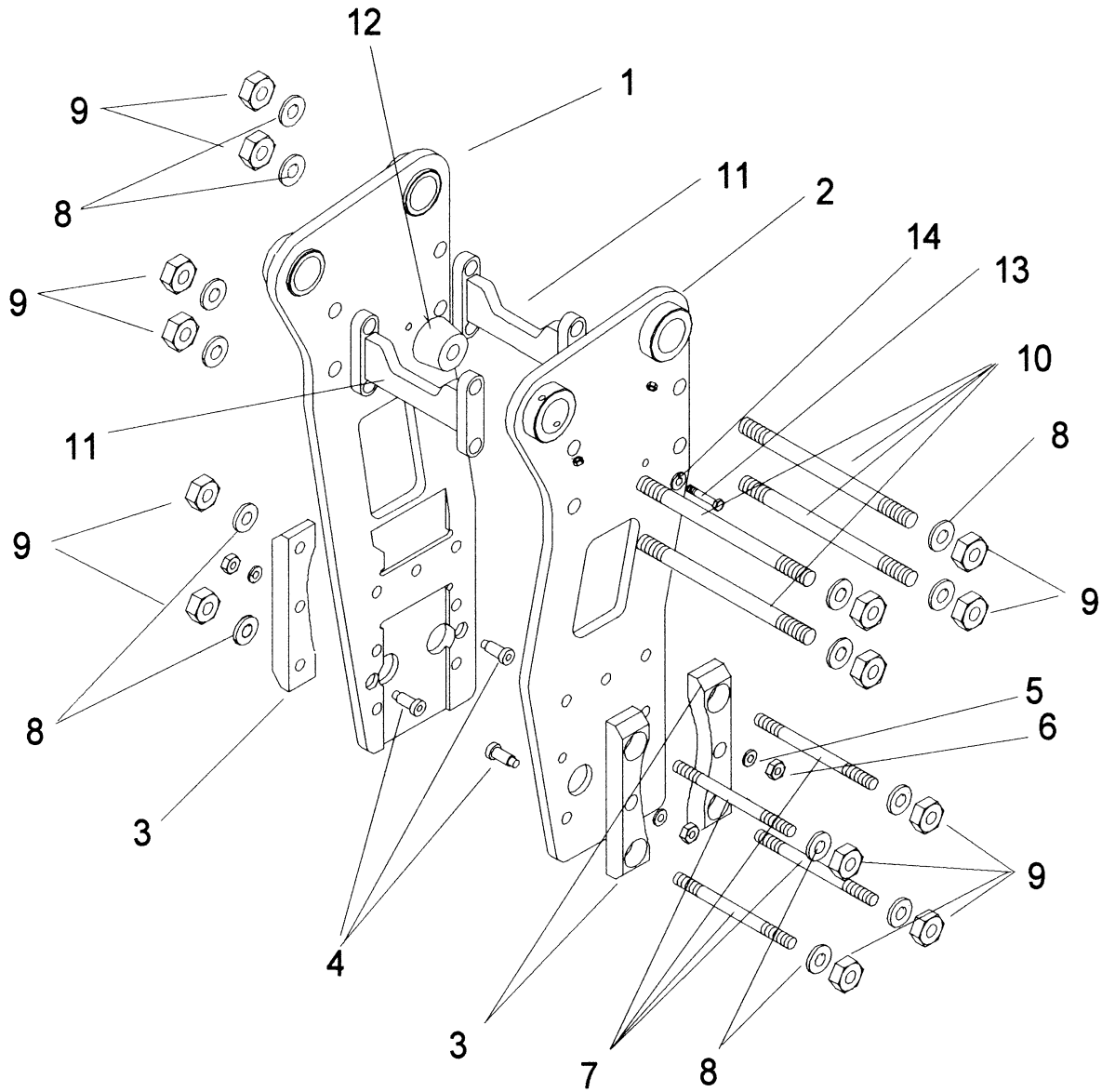


ITEM	P/N	QTY.	DESCRIPTION	ITEM	P/N	QTY.	DESCRIPTION
1	12025	1	CYLINDER	42	12050	1	FRONT HEAD
2	11775	4	M24 HELI-SERT INSERT	43	11230	1	THRUST BUSHING
3	11776	8	M20 HELI-SERT INSERT	44	11231	1	THRUST RING
4	12027	1*	124 U-PACKING	45	11232	2	ROD PIN
5	12028	1*	124 BUFFER RING	46	11233	3	STOP PIN
6	12029	1*	124 DUST SEAL	47	10722	3*	RUBBER PLUG
7	12030	1	SEAL RETAINER	48	10719	2	FRONT HEAD PIN
8	12031	2*	120 SLIDE PACKING	49	10721	2	RUBBER PLUG
9	12032	2*	O-RING	50	10725	2	SNAP RING
10	12033	1*	120 SEAL RING	51	10118	1	1/4 GREASE NIPPLE
11	12034	1*	120 BACK-UP RING	52	11745	1	1/2 HOLLOW PLUG
12	11154	2*	O-RING	53	11235	1	BLUNT TIP
13	11153	3*	BACK-UP RING	53	11236	1	MOIL POINT
14	10206	2	KNOCK PIN	53	11237	1	CHISEL BIT
15	11212	2*	BUSHING	54	12053	1	BACKHEAD
16	11213	4*	O-RING	55	11739	2	FLANGE ADAPTER
17	10220	1	STROKE ADJUSTER	56	10735	2*	BACKUP RING
18	10322	1	22 NUT	57	11241	1	CHARGE VALVE
19	01613	2*	O-RING	58	10407	2*	O-RING
20	10231	2*	BACK-UP RING	59	11835	1	PLUG
21	11463	4	1/4 PLUG	60	11246	1*	O-RING
22	11764	4*	O-RING	61	11247	1*	O-RING
23	12035	1*	PLUG	62	11740	8	14 FINE THREAD BOLT
24	11511	2*	O-RING	63	12054	4	THROUGH BOLT
25	12039	1	PISTON	64	12055	4	NUT
26	12040	1	VALVE	65	12056	4	WASHER
27	12041	1	VALVE PLUG	66	11252	4	HEXAGON NUT
28	12042	1	VALVE HOUSING	67	11253	1	ACCUMULATOR COVER
29	12043	1	VALVE HOUSING COVER	68	12058	1	ACCUMULATOR BODY
30	11725	1*	O-RING	69	11255	1	DIAPHRAGM
31	12044	1*	BACK-UP RING	70	11758	1	VALVE
32	11219	1	3/4 PLUG	71	11762	1*	O-RING
33	12045	1*	VALVE ADJUSTER	72	11759	1	CAP
34	12046	1	JAM NUT	73	11761	2*	O-RING
35	00479	2*	O-RING	74	11760	1	PLUG
36	10940	2*	O-RING	76	11872	1*	80 FACE SEAL
37	10734	3*	O-RING	77	11955	4	SOCKET BOLT
38	11871	1*	45 FACE SEAL	78	12064	4	DUST PLUG
39	11720	2	24 FINE THREAD BOLT		11281	2	HOSE WHIP ASSEMBLY
40	11721	6	SOCKET BOLT		12060	1	SEAL KIT
41	11228	1	FRONT COVER		12061	1	SERVICE TOOL KIT

NOTE: PARTS WITH THE SYMBOL "*" IN THE QTY. COLUMN ARE SUPPLIED AS A SEAL KIT.



MOUNTING BRACKET
KHB-15G SUPER II



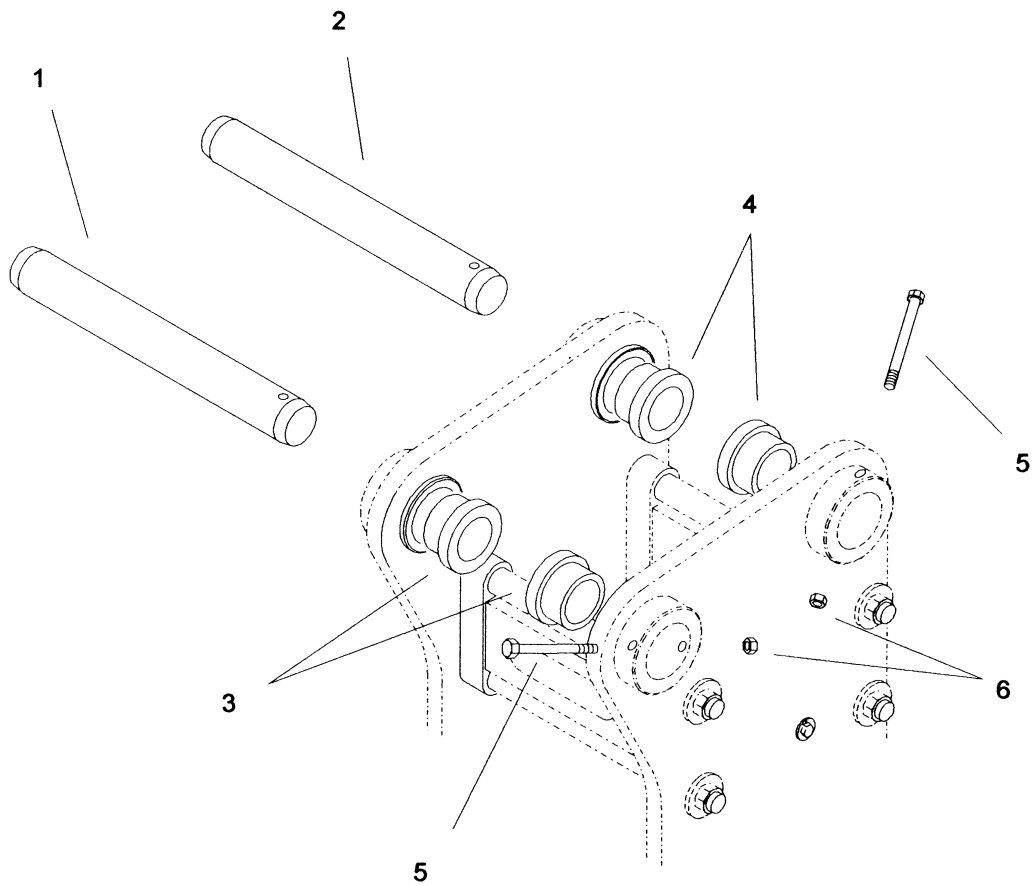


MOUNTING BRACKET PARTS LIST
KHB-15G SUPER II

<u>ITEM</u>	<u>P/N</u>	<u>QTY.</u>	<u>DESCRIPTION</u>
1	11297	1	RIGHT-HAND SIDE PLATE
2	11298	1	LEFT-HAND SIDE PLATE
3	11256	4	BOLT PROTECTOR
4	11342	4	1" SHOULDER BOLT (1-3/4" LONG)
5	10278	4	3/4" HARDENED WASHER
6	02025	4	3/4" - 10 NC HEX NUT
7	18474	4	1 1/2" - 12 UNC STUD, CD THREAD
8	11259	16	1 1/2" HARDENED WASHER
9	18472	16	1 1/2" - 12 UNC HEAVY HEX NUT
10	18469	4	1 1/2" - 12 UNC STUD
11	11287	2	SIDE PLATE BRACE
12	18430	2	VIBRATION DAMPENER
13	7232	2	5/8" -11 UNC BOLT x 2-1/2"
14	9847	2	5/8" LOCKWASHER



MOUNTING PIN KIT
KHB-15G SUPER II





MOUNTING PIN KIT PARTS LIST
KHB-15G SUPER II

Serial Number

Base Machine Make: _____
Base Machine Model: _____
Dipperstick Pin Diameter: _____
Link Pin Diameter: _____
Dipperstick Width: _____
Link Pin Width: _____

MOUNTING KIT PART NO: _____

Consisting of the following:

<u>ITEM</u>	<u>P/N</u>	<u>QTY.</u>	<u>DESCRIPTION</u>
1	_____	1	_____ DIA. MOUNTING PIN x 24" LONG
2	_____	1	_____ DIA. MOUNTING PIN x 24" LONG
3	<u>12125</u>	2	_____ DIA. MOUNTING BUSHING X _____ LG.
4	<u>12125</u>	2	_____ DIA. MOUNTING BUSHING X _____ LG.
5	<u>10193</u>	2	3/4" -10 UNC BOLT
6	<u>10195</u>	2	3/4" -10 UNC LOCKNUT

