

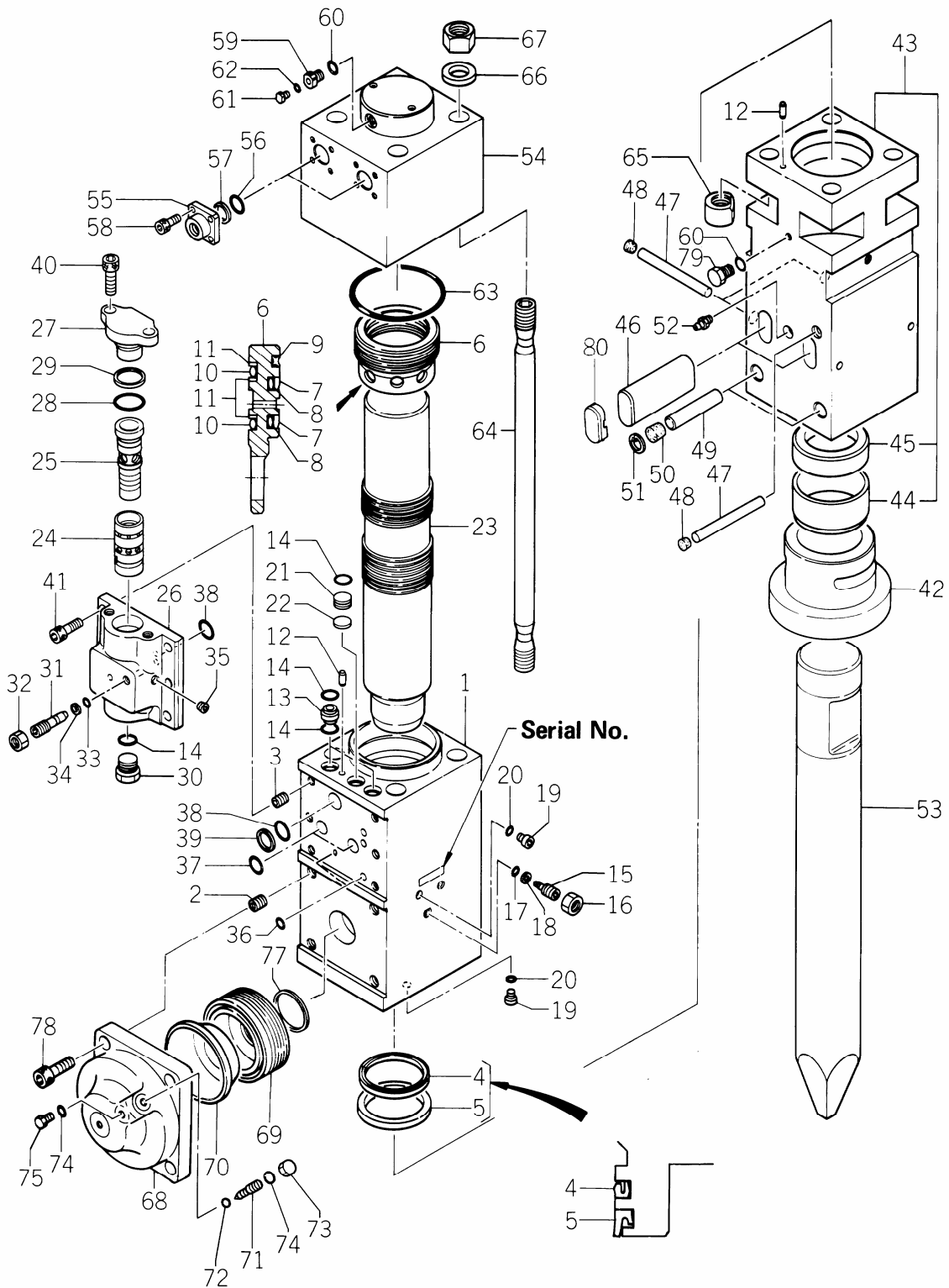


SECTION XI

PARTS LIST
KHB-10G SUPER II
STANDARD DUTY



KHB-10G SUPER II PARTS BREAKDOWN



KHB-10G SUPER II

PARTS LIST

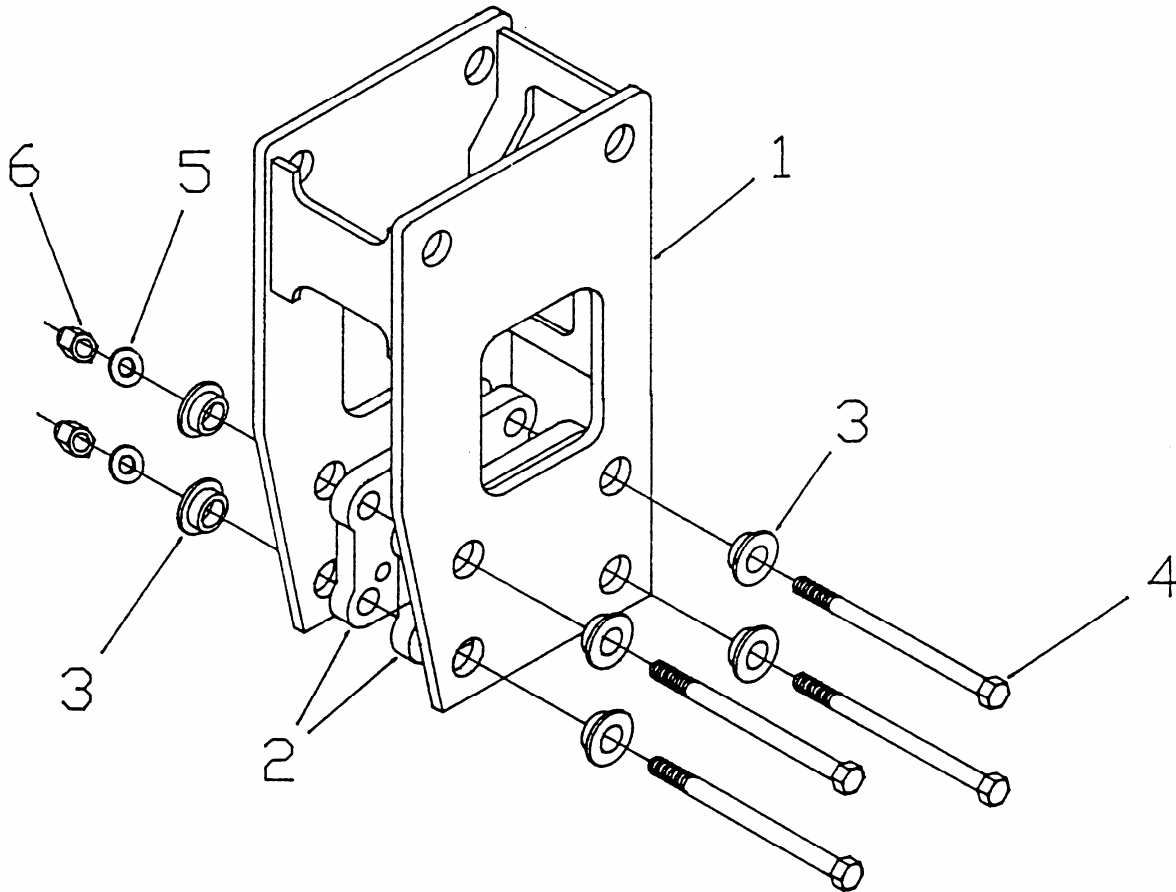


<i>ITEM</i>	<i>P/N</i>	<i>QTY.</i>	<i>DESCRIPTION</i>	<i>ITEM</i>	<i>P/N</i>	<i>QTY.</i>	<i>DESCRIPTION</i>
1	10863	1	CYLINDER	43	10866	1	FRONT HEAD
2	11775	4	M24 HELI-SERT INSERT	44	10930	1	THRUST BUSHING
3	11776	6	M20 HELI-SERT INSERT	45	10846	1	THRUST RING
4	10826	1*	108 U-PACKING	46	10932	2	ROD PIN
5	10827	1*	108 DUST SEAL	47	10867	3	STOP PIN
6	10828	1	SEAL RETAINER	48	10722	3*	RUBBER PLUG
7	10829	2*	105 SLIDE PACKING	49	10719	2	FRONT HEAD PIN
8	10830	2*	O-RING	50	10721	2	RUBBER PLUG
9	10831	1*	105 SEAL RING	51	10725	2	SNAP RING
10	10910	2*	O-RING	52	10118	1	1/4 GREASE NIPPLE
11	10911	3*	BACK-UP RING	53	10935	1	BLUNT TIP
12	10206	2	KNOCK PIN	53	10936	1	MOIL POINT
13	10912	2*	BUSHING	53	10937	1	CHISEL BIT
14	11511	6*	O-RING	54	10848	1	BACKHEAD
15	10220	1	STROKE ADJUSTER	55	10939	2	FLANGE ADAPTER
16	10864	1	22 NUT	56	10940	2*	O-RING
17	01613	1*	O-RING	57	10948	2*	BACKUP RING
18	10231	1*	BACK-UP RING	58	10428	8	SOCKET BOLT, FINE
19	11463	4	1/4 PLUG	59	11241	1	CHARGE VALVE
20	11764	4*	O-RING	60	10407	2*	O-RING
21	12035	1*	PLUG	61	11835	1	PLUG
22	12036	1*	COVER PLATE	62	11246	1*	O-RING
23	10835	1	PISTON	63	10868	1*	O-RING
24	10836	1	VALVE	64	10849	4	THROUGH BOLT
25	10837	1	VALVE PLUG	65	10950	4	NUT
26	10838	1	VALVE HOUSING	66	10850	4	WASHER
27	10839	1	VALVE HOUSING COVER	67	10952	4	HEXAGON NUT
28	10112	1*	O-RING	68	10953	1	ACCUMULATOR COVER
29	10840	1*	BACK-UP RING	69	10854	1	ACCUMULATOR BODY
30	11219	1	3/4 PLUG	70	10955	1	DIAPHRAGM
31	10841	1	VALVE ADJUSTER	71	11758	1	VALVE
32	11245	1	JAM NUT	72	11762	1*	O-RING
33	11767	1*	O-RING	73	11759	1	CAP
34	11243	1*	BACK-UP RING	74	11761	2*	O-RING
35	10235	1	1/4 HOLLOW PLUG	75	11760	1	PLUG
36	00479	2*	O-RING	77	11872	1*	80 FACE SEAL
37	01123	2*	O-RING	78	11955	4	24 SOCKET BOLT
38	10734	2*	O-RING	79	11745	1	VENTILATOR PLUG
39	10843	1*	BACK-UP RING	80	10869	4	DUST PLUG
40	10844	2	SOCKET BOLT, FINE		10981	2	HOSE WHIP ASSEMBLY
41	11721	6	SOCKET BOLT		10860	1	SEAL KIT
42	10865	1	FRONT COVER		10861	1	SERVICE TOOL KIT

NOTE: PARTS WITH THE SYMBOL "*" IN THE QTY. COLUMN ARE SUPPLIED AS A SEAL KIT.



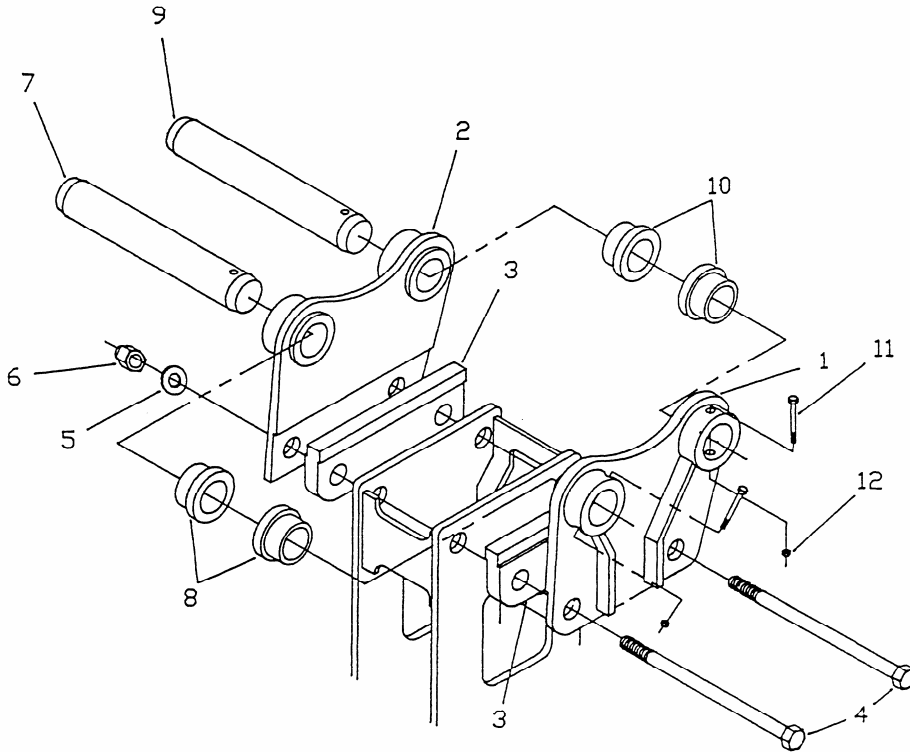
CRADLE BRACKET
KHB-10G SUPER II



<u>ITEM</u>	<u>P/N</u>	<u>QTY.</u>	<u>DESCRIPTION</u>
1	12001	1	MOUNTING BRACKET BODY
2	12004	2	CLAMPING BLOCK
3	12003	8	WEAR BUSHING
4	18402	4	1 1/2" HEX HEAD BOLT
5	2467	4	1 1/2" FLAT WASHER
6	2257	4	1 1/2" LOCK NUT

TOP BRACKET PARTS LIST

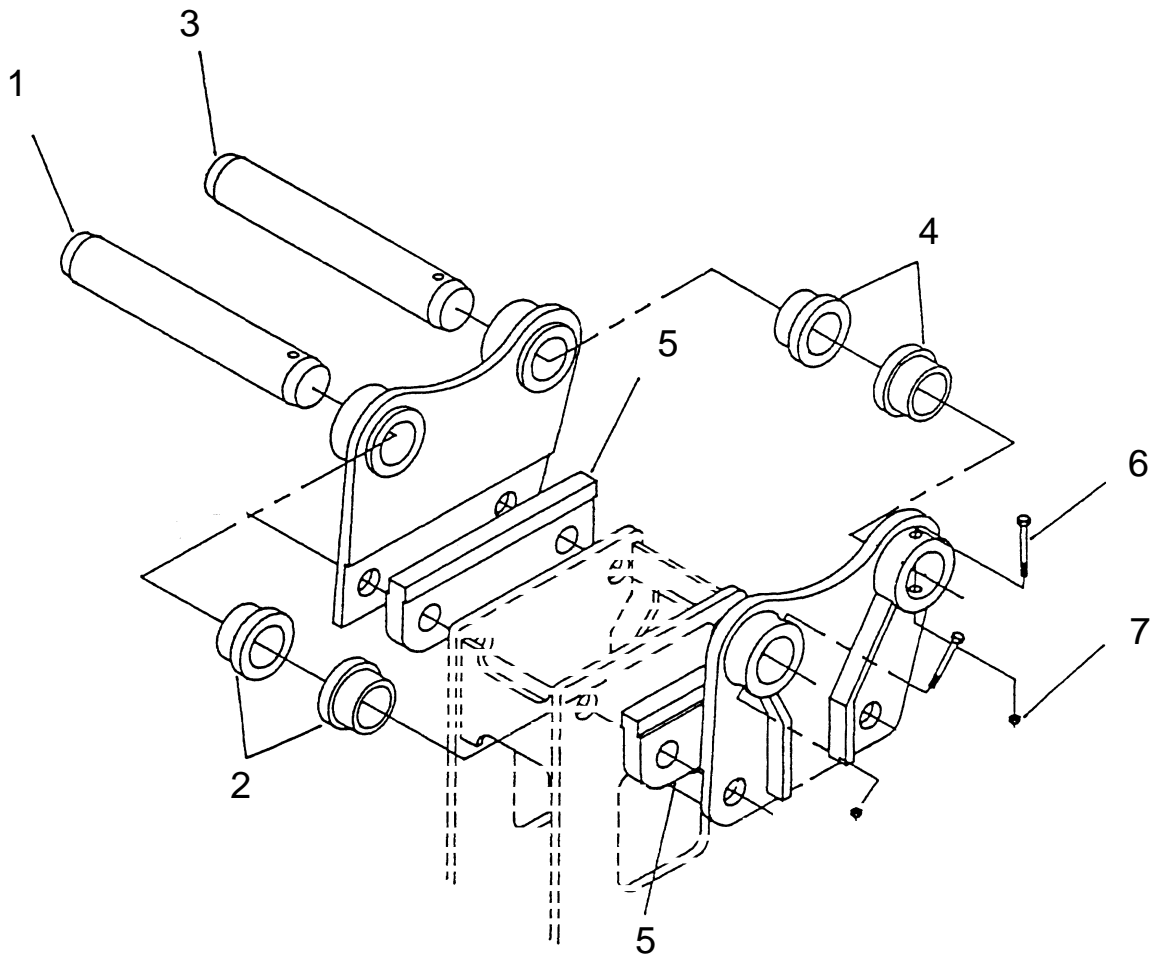
KHB-10G SUPER II



<u>ITEM</u>	<u>P/N</u>	<u>QTY.</u>	<u>DESCRIPTION</u>
1	12006	1	LEFT-HAND MOUNTING PLATE
2	12007	1	RIGHT-HAND MOUNTING PLATE
3	Refer to	2	SPACER BLOCK(S), AS REQUIRED
4	Pin Kit	2	2" MOUNTING BOLT, AS REQUIRED
5	7547	4	2" FLAT WASHER
6	7514	4	2" LOCK NUT
7	Refer to	1	MOUNTING PIN
8	Mounting	2	MOUNTING BUSHING
9	Pin Kit	1	MOUNTING PIN
10	Parts List	2	MOUNTING BUSHING
11	10196	2	3/4" X 6 1/2" KEEPER BOLT
12	10195	2	3/4" LOCK NUT



MOUNTING PIN KIT
KHB-10G SUPER II





MOUNTING PIN KIT PARTS LIST
KHB-10G SUPER II

Serial Number _____

Base Machine Make: _____
 Base Machine Model: _____
 Dipperstick Pin Diameter: _____
 Link Pin Diameter: _____
 Dipperstick Width: _____
 Link Pin Width: _____

MOUNTING KIT PART NO: _____

Consisting of the following:

<u>ITEM</u>	<u>P/N</u>	<u>QTY.</u>	<u>DESCRIPTION</u>
1	_____	1	_____ DIA. MOUNTING PIN x _____" LG.
2	_____	1	_____ DIA. MOUNTING PIN x _____" LG.
3	<u>12100</u>	2	_____ DIA. MOUNTING BUSHING x _____" LG.
4	<u>12100</u>	2	_____ DIA. MOUNTING BUSHING x _____" LG.
5	_____		OPTIONAL SPACER BLOCK(S), _____" THICK
6	<u>10196</u>	2	3/4" -10 UNC BOLT x 6 1/2"
7	<u>10195</u>	2	3/4" -10 UNC LOCKNUT
8	_____	2	2" MOUNTING BOLT x _____" LG.

