

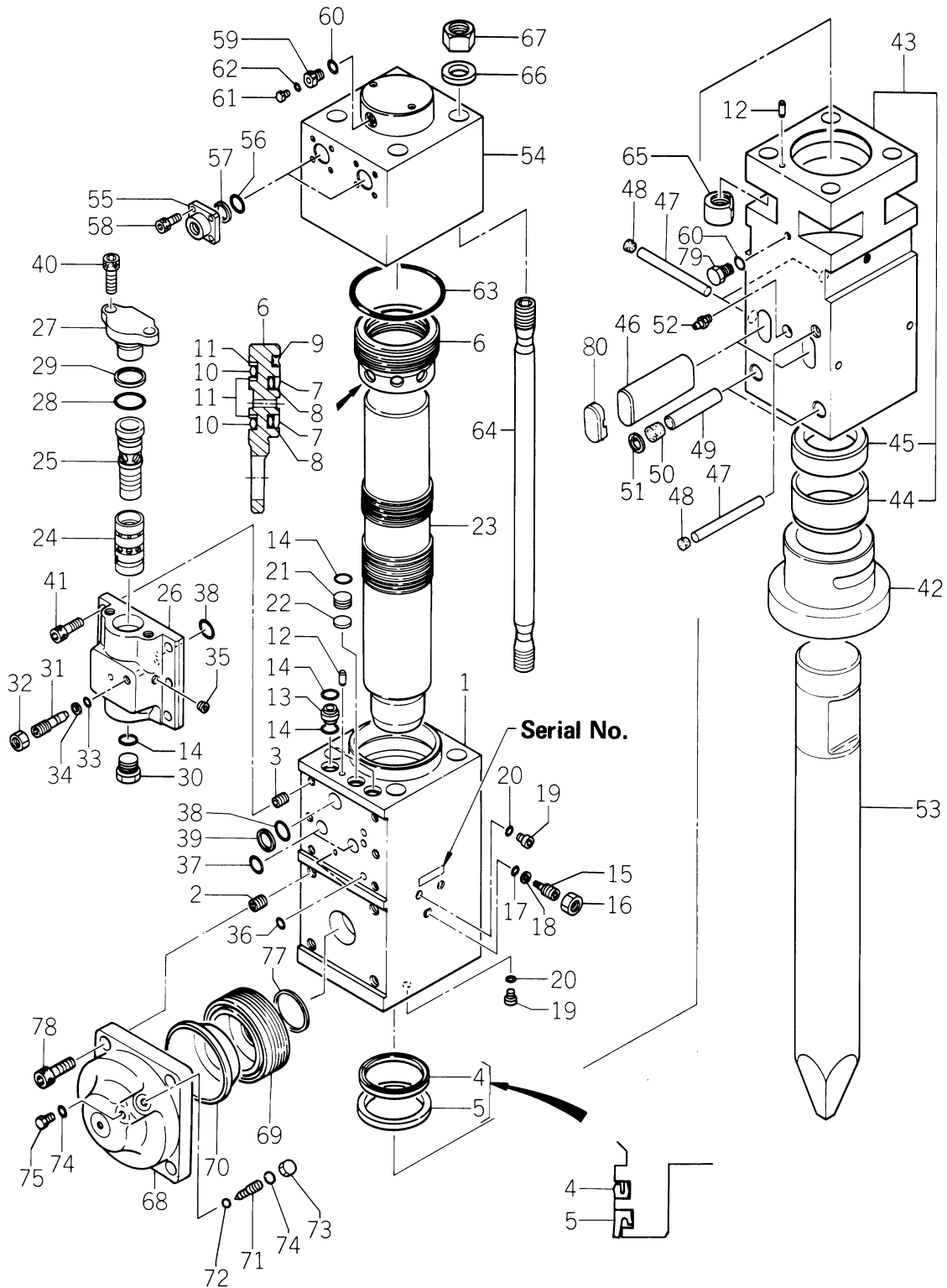


SECTION XII

PARTS LIST
KHB-10GH SUPER II
HEAVY DUTY



KHB-10GH SUPER II PARTS BREAKDOWN



KHB-10GH SUPER II **PARTS LIST**

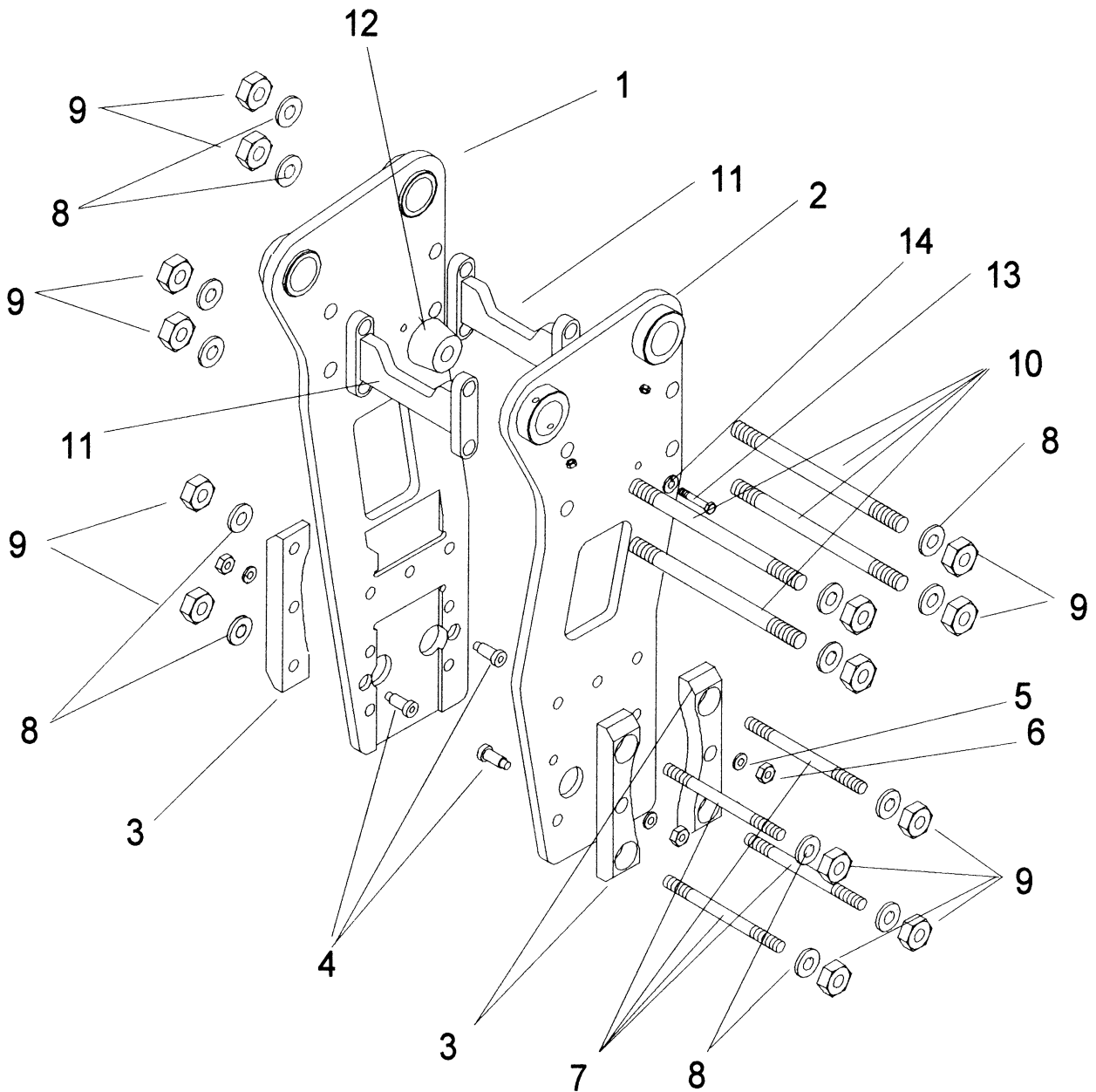


ITEM	P/N	QTY.	DESCRIPTION	ITEM	P/N	QTY.	DESCRIPTION
1	10863	1	CYLINDER	43	10866	1	FRONT HEAD
2	11775	4	M24 HELI-SERT INSERT	44	10930	1	THRUST BUSHING
3	11776	6	M20 HELI-SERT INSERT	45	10846	1	THRUST RING
4	10826	1*	108 U-PACKING	46	10932	2	ROD PIN
5	10827	1*	108 DUST SEAL	47	10867	3	STOP PIN
6	10828	1	SEAL RETAINER	48	10722	3*	RUBBER PLUG
7	10829	2*	105 SLIDE PACKING	49	10719	2	FRONT HEAD PIN
8	10830	2*	O-RING	50	10721	2	RUBBER PLUG
9	10831	1*	105 SEAL RING	51	10725	2	SNAP RING
10	10910	2*	O-RING	52	10118	1	1/4 GREASE NIPPLE
11	10911	3*	BACK-UP RING	53	10935	1	BLUNT TIP
12	10206	2	KNOCK PIN	53	10936	1	MOIL POINT
13	10912	2*	BUSHING	53	10937	1	CHISEL BIT
14	11511	6*	O-RING	54	10848	1	BACKHEAD
15	10220	1	STROKE ADJUSTER	55	10939	2	FLANGE ADAPTER
16	10864	1	22 NUT	56	10940	2*	O-RING
17	01613	1*	O-RING	57	10948	2*	BACKUP RING
18	10231	1*	BACK-UP RING	58	10428	8	SOCKET BOLT, FINE
19	11463	4	1/4 PLUG	59	11241	1	CHARGE VALVE
20	11764	4*	O-RING	60	10407	2*	O-RING
21	12035	1*	PLUG	61	11835	1	PLUG
22	12036	1*	COVER PLATE	62	11246	1*	O-RING
23	10835	1	PISTON	63	10868	1*	O-RING
24	10836	1	VALVE	64	10849	4	THROUGH BOLT
25	10837	1	VALVE PLUG	65	10950	4	NUT
26	10838	1	VALVE HOUSING	66	10850	4	WASHER
27	10839	1	VALVE HOUSING COVER	67	10952	4	HEXAGON NUT
28	10112	1*	O-RING	68	10953	1	ACCUMULATOR COVER
29	10840	1*	BACK-UP RING	69	10854	1	ACCUMULATOR BODY
30	11219	1	3/4 PLUG	70	10955	1	DIAPHRAGM
31	10841	1	VALVE ADJUSTER	71	11758	1	VALVE
32	11245	1	JAM NUT	72	11762	1*	O-RING
33	11767	1*	O-RING	73	11759	1	CAP
34	11243	1*	BACK-UP RING	74	11761	2*	O-RING
35	10235	1	1/4 HOLLOW PLUG	75	11760	1	PLUG
36	00479	2*	O-RING	77	11872	1*	80 FACE SEAL
37	01123	2*	O-RING	78	11955	4	24 SOCKET BOLT
38	10734	2*	O-RING	79	11745	1	VENTILATOR PLUG
39	10843	1*	BACK-UP RING	80	10869	4	DUST PLUG
40	10844	2	SOCKET BOLT, FINE		10981	2	HOSE WHIP ASSEMBLY
41	11721	6	SOCKET BOLT		10860	1	SEAL KIT
42	10865	1	FRONT COVER		10861	1	SERVICE TOOL KIT

NOTE: PARTS WITH THE SYMBOL "*" IN THE QTY. COLUMN ARE SUPPLIED AS A SEAL KIT.



MOUNTING BRACKET
KHB-10GH SUPER II



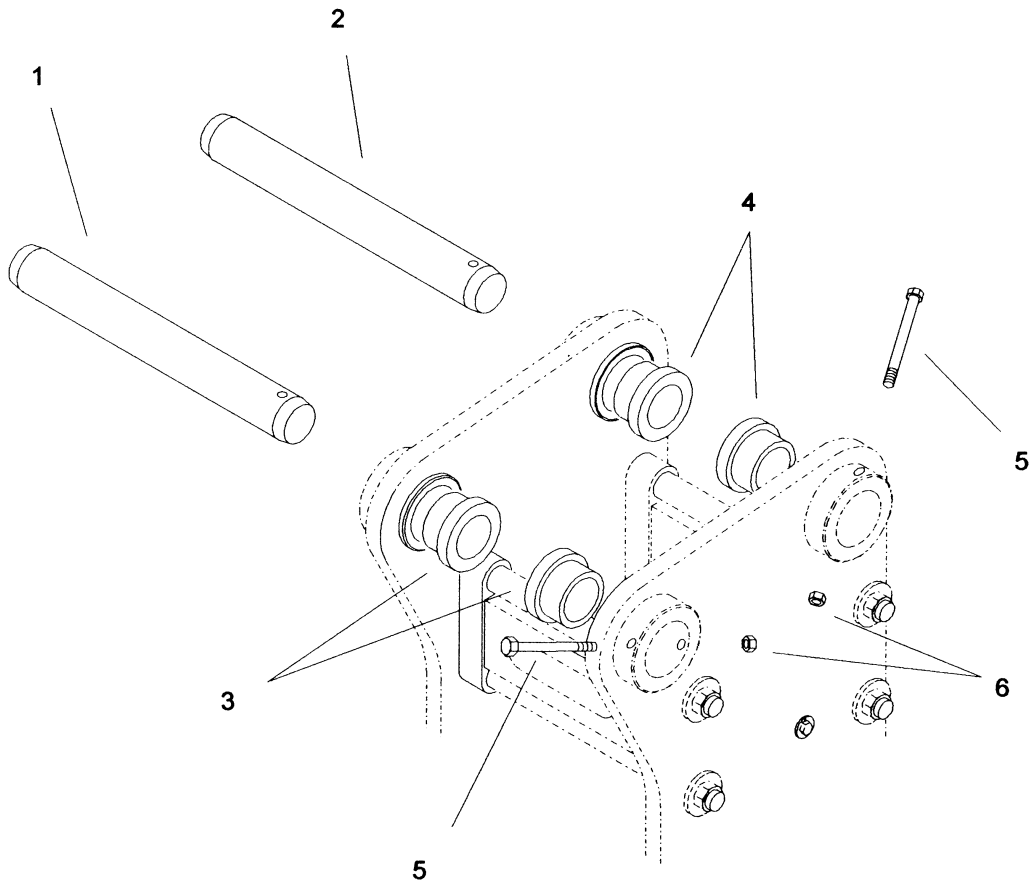


MOUNTING BRACKET PARTS LIST
KHB-10GH SUPER II

<u>ITEM</u>	<u>P/N</u>	<u>QTY.</u>	<u>DESCRIPTION</u>
1	11876	1	RIGHT-HAND SIDE PLATE
2	11878	1	LEFT-HAND SIDE PLATE
3	11256	4	BOLT PROTECTOR
4	10962	4	1" SHOULDER BOLT
5	10278	4	3/4" HARDENED WASHER
6	07634	4	3/4" - 10 NC HEX NUT
7	10963	4	1 1/2" - 12 UNF STUD, CD THREAD
8	11259	16	1 1/2" HARDENED WASHER
9	18472	16	1 1/2" - 12 UNF HEAVY HEX NUT
10	10964	4	1 1/2" - 12 UNF STUD x 19 3/4"
11	11880	2	SIDE PLATE BRACE
12	18432	2	VIBRATION DAMPENER
13	13600	2	5/8" -11 UNC BOLT x 2"
14	09847	2	5/8" LOCKWASHER



MOUNTING PIN KIT
KHB-10GH SUPER II





MOUNTING PIN KIT PARTS LIST
KHB-10GH SUPER II

Serial Number

Base Machine Make: _____
Base Machine Model: _____
Dipperstick Pin Diameter: _____
Link Pin Diameter: _____
Dipperstick Width: _____
Link Pin Width: _____

MOUNTING KIT PART NO: _____

Consisting of the following:

<u>ITEM</u>	<u>P/N</u>	<u>QTY.</u>	<u>DESCRIPTION</u>
1	_____	1	_____ DIA. MOUNTING PIN x 21" LONG
2	_____	1	_____ DIA. MOUNTING PIN x 21" LONG
3	<u>12100</u>	2	_____ DIA. MOUNTING BUSHING X _____ LG.
4	<u>12100</u>	2	_____ DIA. MOUNTING BUSHING X _____ LG.
5	<u>12271</u>	2	3/4" -10 UNC BOLT X 7"
6	<u>10195</u>	2	3/4" -10 UNC LOCKNUT

