

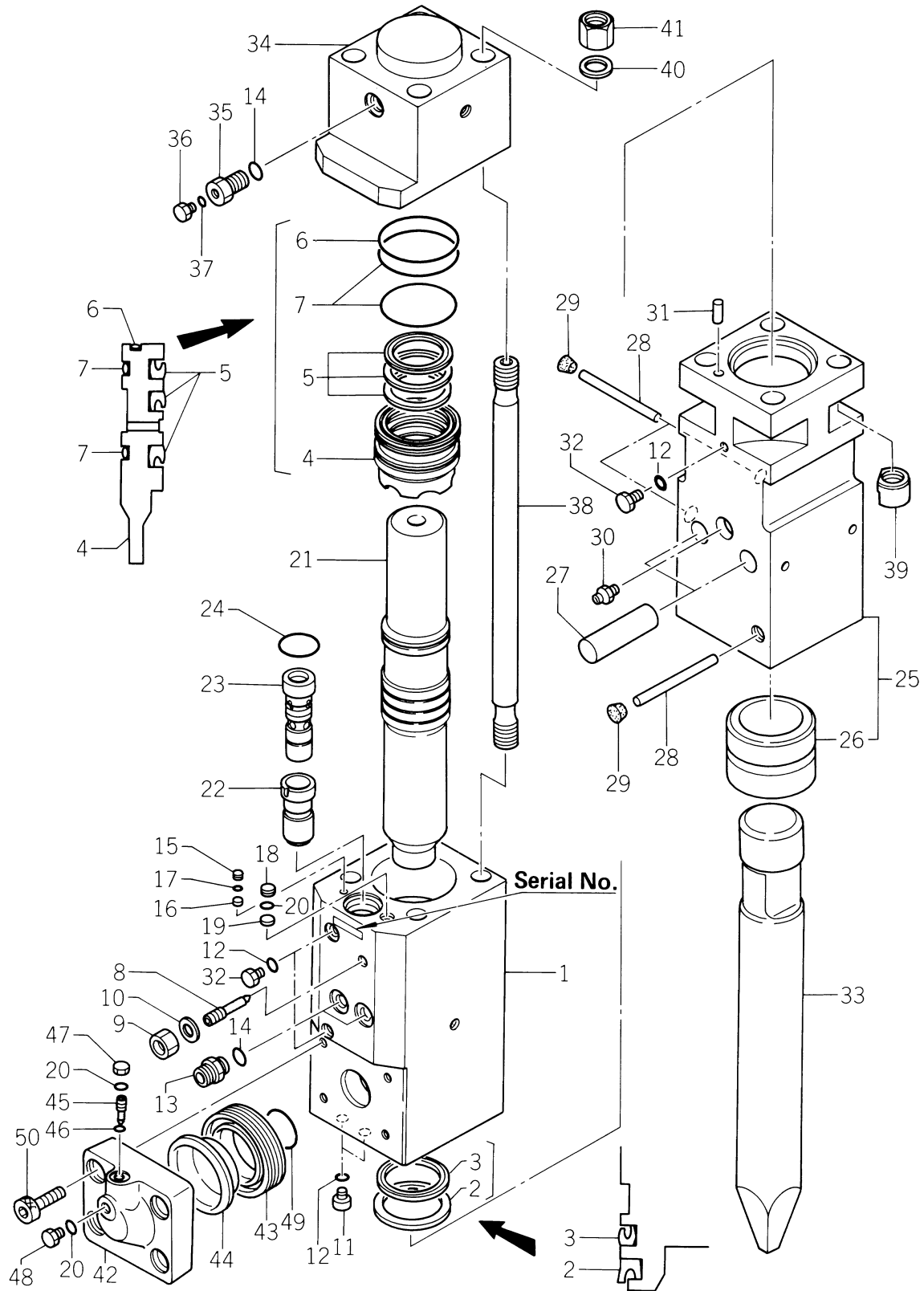


SECTION IX

PARTS LIST
KHB5G SUPER II



KHB5G SUPER II ***PARTS BREAKDOWN***



KHB5G SUPER II **PARTS LIST**

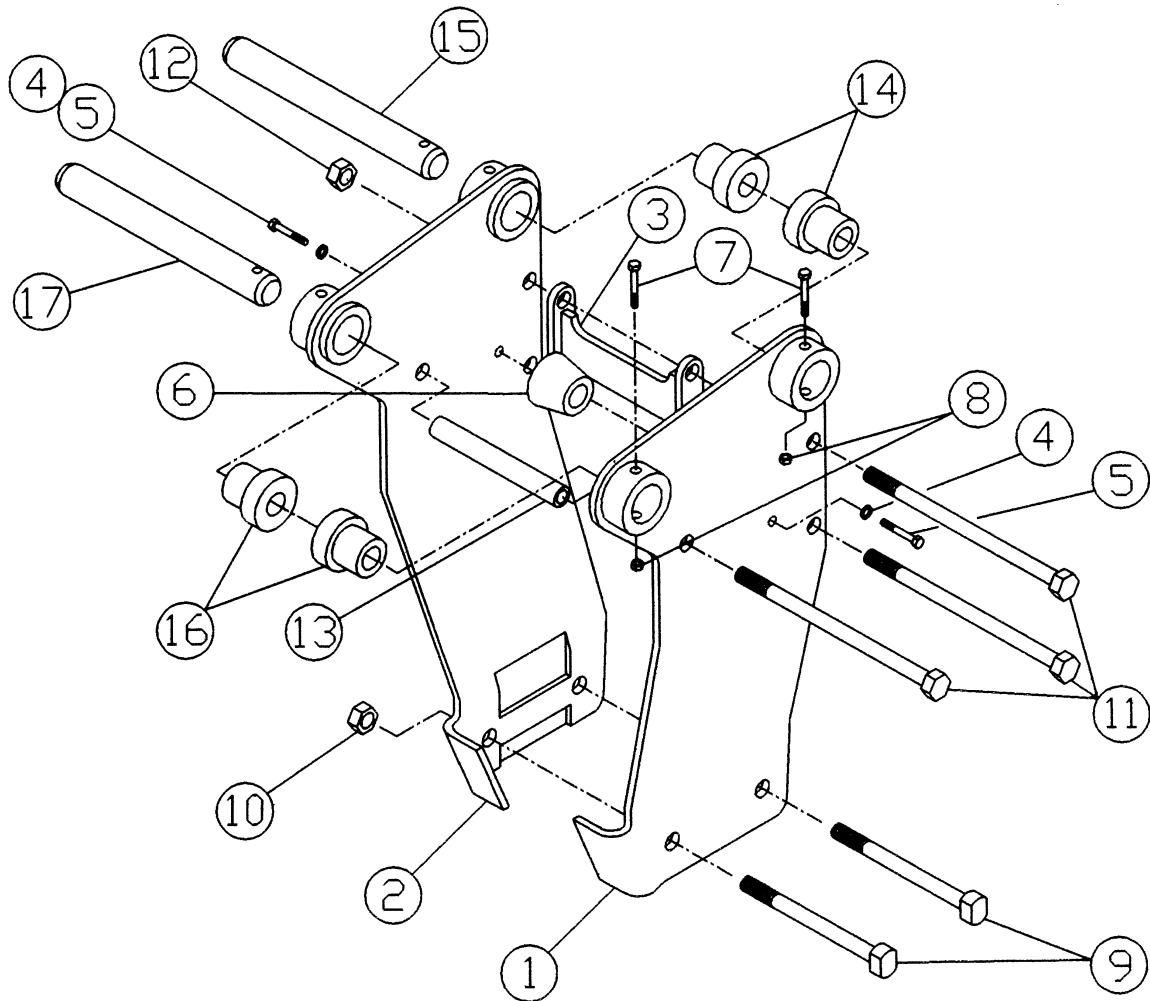


<i>ITEM</i>	<i>P/N</i>	<i>QTY.</i>	<i>DESCRIPTION</i>	<i>ITEM</i>	<i>P/N</i>	<i>QTY.</i>	<i>DESCRIPTION</i>
1	10525	1	CYLINDER	29	10545	3*	RUBBER PLUG
2	10526	1*	75 DUST SEAL	30	11018	1	¼ GREASE NIPPLE
3	10527	1*	75 U-PACKING	31	10206	1	KNOCK PIN
4	10528	1	SEAL RETAINER	32	10235	1	¼ HOLLOW PLUG
5	10529	2*	86.5 U-PACKING	33	10546	1	BLUNT TIP
6	10530	2*	O-RING	33	10547	1	MOIL POINT
7	10531	1*	O-RING	33	10548	1	CHISEL BIT
8	10532	1	VALVE ADJUSTER	34	10549	1	BACKHEAD
9	10533A	1	SEAL NUT	35	11241	1	CHARGING VALVE
10	10534A	1*	SEAL WASHER	36	11835	1	PLUG
11	11763	2	¼ PLUG	37	11246	1*	O-RING
12	11764	5*	O-RING	38	10550	4	THROUGH BOLT
13	15287	2	PORT ADAPTER	39	10551	4	LOWER NUT
14	10407	2*	O-RING	40	10552	4	HARDENED WASHER
15	11765	1*	PLUG	41	10553	4	HEXAGON NUT
16	11766	1*	COVER PLATE	42	10555	1	ACCUMULATOR COVER
17	11767	1*	O-RING	43	10556	1	ACCUMULATOR BODY
18	10536	1*	PLUG	44	10557	1	DIAPHRAGM
19	10537	1*	COVER PLATE	45	11758	1	NEEDLE VALVE
20	11761	3*	O-RING	46	11762	1*	O-RING
21	10538	1	PISTON	47	11759	1	DUST CAP
22	10539	1	VALVE	48	11760	1	CHARGE PLUG
23	10540	1	VALVE PLUG	49	11725	1*	O-RING
24	11534	1*	O-RING	50	10558	4	SOCKET BOLT
25	10541	1	FRONTHEAD		10581	2	HOSE WHIP ASSEMBLY
26	10542	1	FRONT BUSHING		10560	1	SEAL KIT
27	10543	2	ROD PIN (RETAINER)		10561	1	SERVICE TOOL KIT
28	10544	3	STOP PIN				

NOTE: PARTS WITH THE SYMBOL "*" IN THE QTY. COLUMN ARE SUPPLIED AS A SEAL KIT.



MOUNTING BRACKET
KHB5G SUPER II



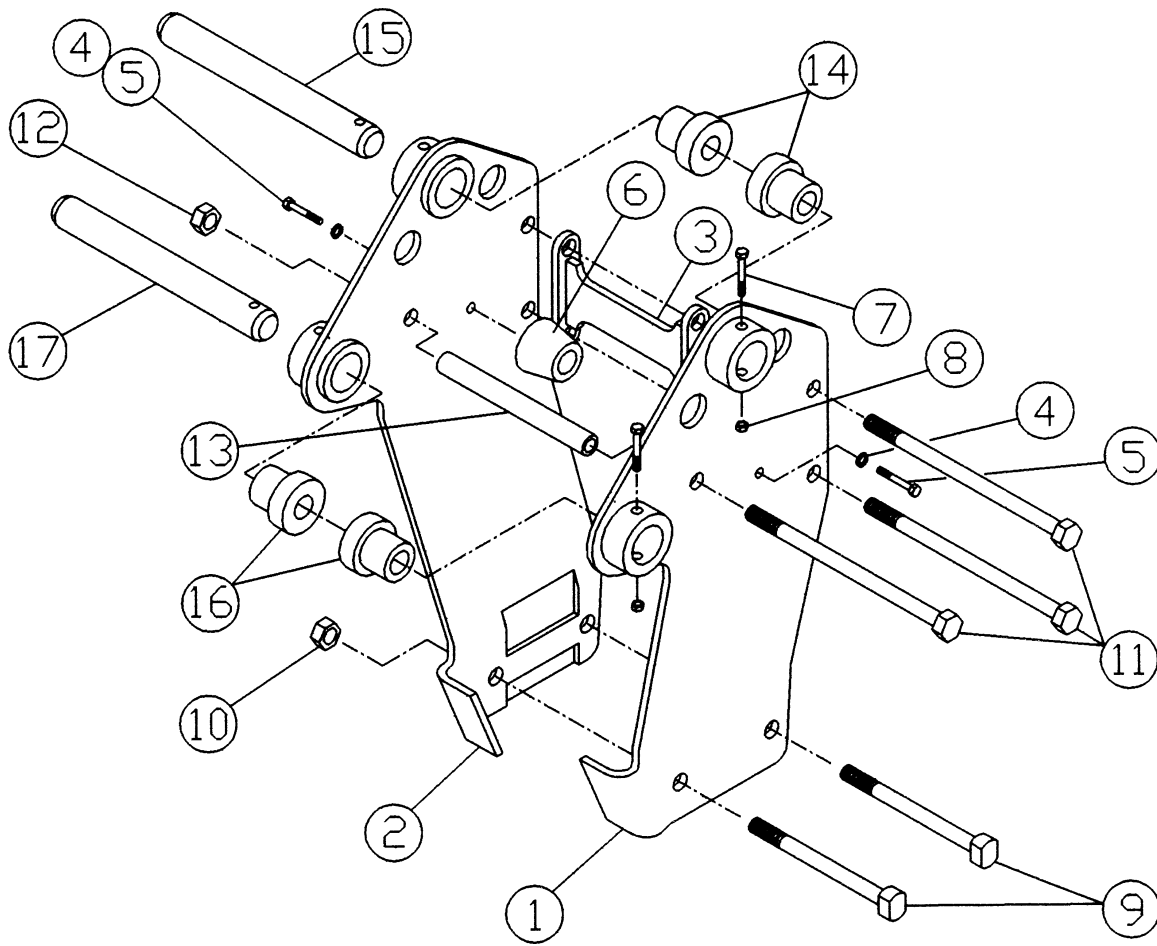


MOUNTING BRACKET PARTS LIST
KHB5G SUPER II

<u>ITEM</u>	<u>P/N</u>	<u>QTY.</u>	<u>DESCRIPTION</u>
1	10613	1	RIGHT-HAND SIDE PLATE
2	10615	1	LEFT-HAND SIDE PLATE
3	10589	1	SIDE PLATE BRACE
4	6412	2	½" LOCK WASHER
5	6427	2	½" X 1.5" HEX BOLT
6	18426	2	VIBRATION DAMPENER
7	6422	2	½" - 13 X 5" HEX BOLT
8	7228	2	½" - 13 LOCK NUT
9	18413	2	1 ½" - 12 FORGED BOLT
10	2257	2	1 ½" - 12 STOVER HEX NUT
11	10595	3	1" - 8 x 14.5" BOLT
12	2584	3	1" - 8 STOVER HEX NUT
13	8831-1175	1	1" PIPE SPACER 11.75" LONG
14	Refer to	1	MOUNTING BUSHING
15	Mounting	2	MOUNTING PIN
16	Pin Kit	1	MOUNTING BUSHING
17	Parts List	2	MOUNTING PIN



MOUNTING BRACKET
KHB5GO SUPER II
Optional Offset Style



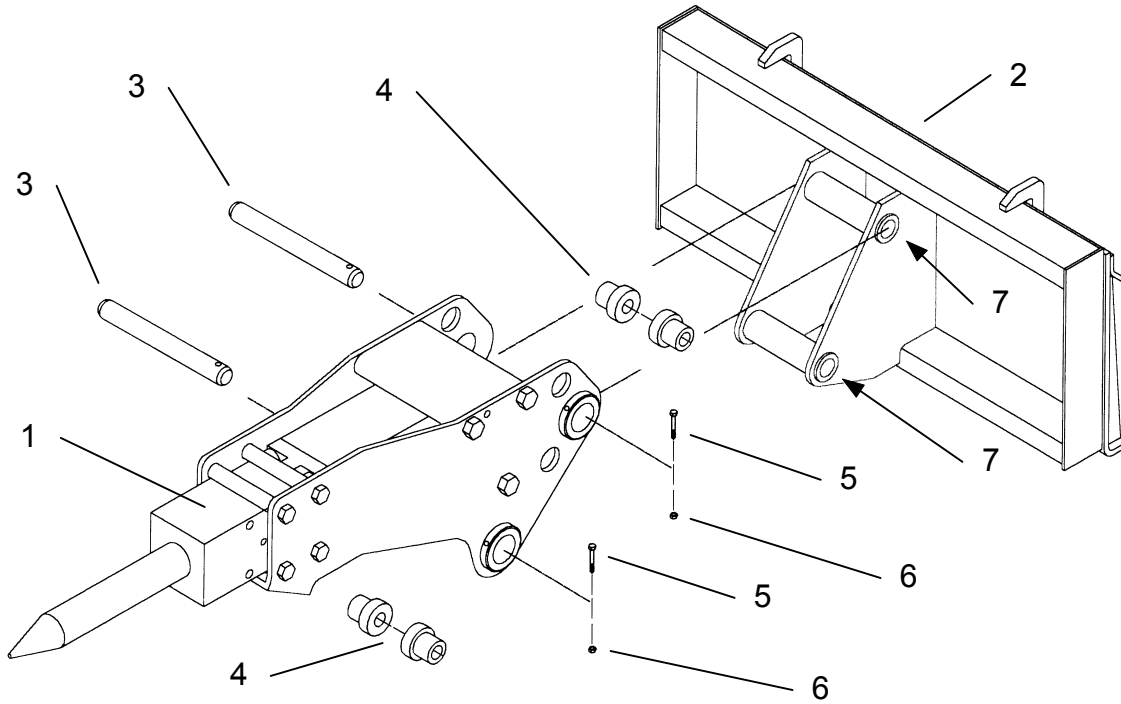


MOUNTING BRACKET PARTS LIST
KHB5GO SUPER II
Optional Offset Style

<u>ITEM</u>	<u>P/N</u>	<u>QTY.</u>	<u>DESCRIPTION</u>
1	10585	1	RIGHT-HAND SIDE PLATE
2	10586	1	LEFT-HAND SIDE PLATE
3	10589	1	SIDE PLATE BRACE
4	6412	2	½" LOCK WASHER
5	6427	2	½" X 1.5" HEX BOLT
6	18426	2	VIBRATION DAMPENER
7	6422	2	½" - 13 X 5" HEX BOLT
8	7228	2	½" - 13 LOCK NUT
9	18413	2	1 ½" - 12 FORGED BOLT
10	2257	2	1 ½" - 12 STOVER HEX NUT
11	10595	3	1" - 8 x 14.5" BOLT
12	2584	3	1" - 8 STOVER HEX NUT
13	8831-1175	1	1" PIPE SPACER 11.75" LONG
14	Refer to	1	MOUNTING BUSHING
15	Mounting	2	MOUNTING PIN
16	Pin Kit	1	MOUNTING BUSHING
17	Parts List	2	MOUNTING PIN

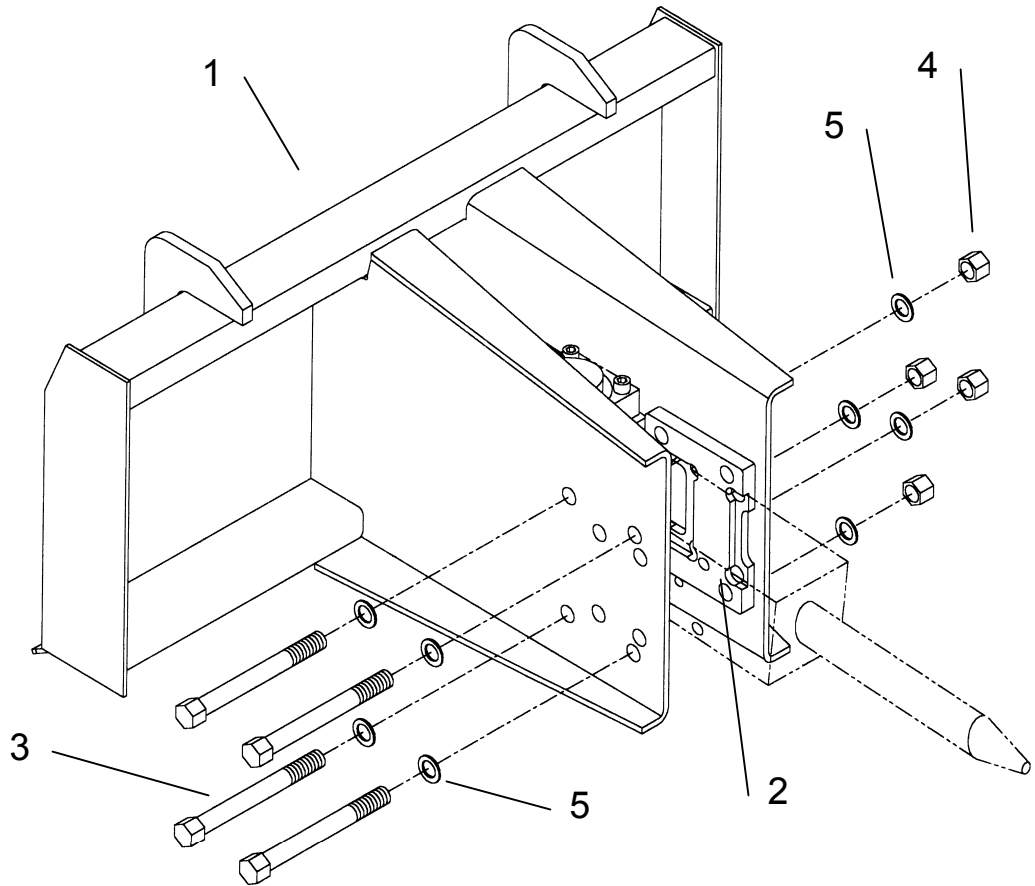


TWO-PIECE (PIN-ON)
QUICK ATTACH BRACKET
For Offset Style
KHB5GO Super II



ITEM	PART NUMBER	QUANTITY	DESCRIPTION
1	KHB5GO	1	HAMMER COMPLETE, OFFSET STYLE
2	KM _____	1	QUICK ATTACH BRACKET (Specify)
3	16101	2	MOUNTING PIN, 1 1/2" x 17"
4	14129	4	MOUNTING BUSHING
5	6422	2	KEEPER BOLT, 1/2"-13 x 5"
6	7228	2	LOCK NUT, 1/2"-13
7	10154	4	WEAR BUSHING (Not Shown)

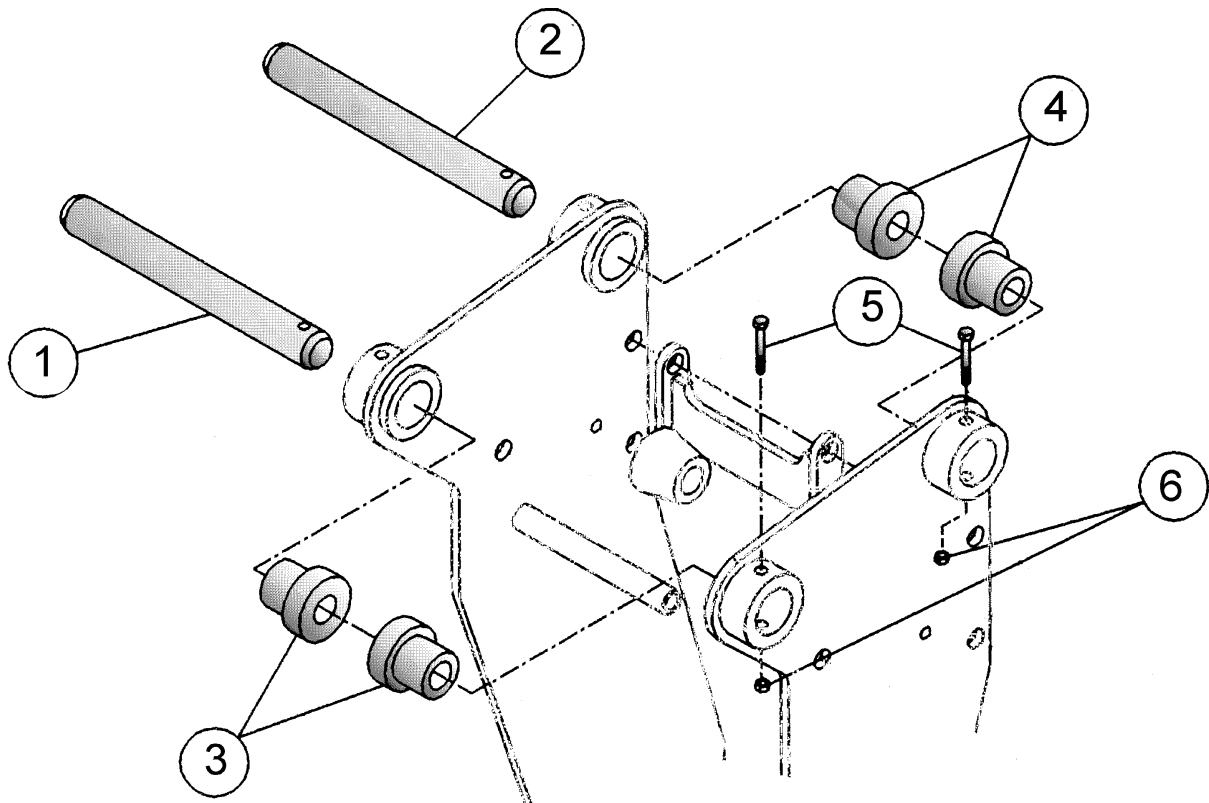
ONE-PIECE
QUICK ATTACH BRACKET
For KHB5G Super II



<i>ITEM</i>	<i>PART NUMBER</i>	<i>QUANTITY</i>	<i>DESCRIPTION</i>
1	KM _____	1	QUICK ATTACH BRACKET (Specify)
2	18263	2	MOUNTING BLOCK
3	2603	4	BOLT, 1" - 8 x 9 1/2"
4	2584	4	LOCK NUT, 1" - 8
5	6643	8	FLAT WASHER



MOUNTING PIN KIT
KHB5G SUPER II





MOUNTING PIN KIT PARTS LIST
KHB5G SUPER II

Serial Number

Base Machine Make: _____
Base Machine Model: _____
Dipperstick Pin Diameter: _____
Link Pin Diameter: _____
Dipperstick Width: _____
Link Pin Width: _____

MOUNTING KIT PART NO: _____

Consisting of the following:

<u>ITEM</u>	<u>P/N</u>	<u>QTY.</u>	<u>DESCRIPTION</u>
1	_____	1	_____ DIA. MOUNTING PIN x 17" LONG
2	_____	1	_____ DIA. MOUNTING PIN x 17" LONG
3	_____	2	_____ DIA. MOUNTING BUSHING X _____ LG.
4	_____	2	_____ DIA. MOUNTING BUSHING X _____ LG.
5	<u>6422</u>	2	1/2" -13 x 5" BOLT
6	<u>7228</u>	2	1/2" -13 UNC LOCKNUT

