

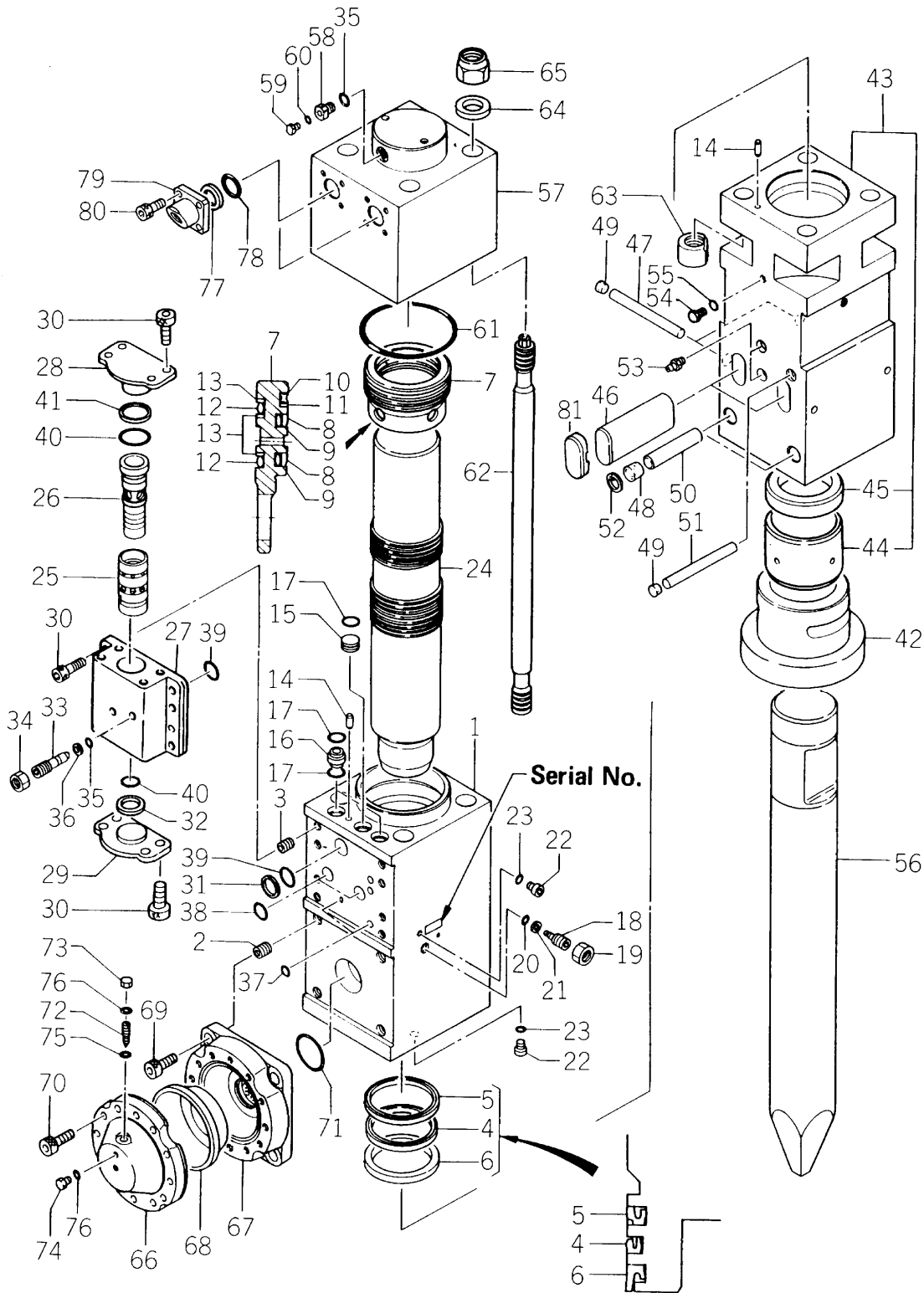


SECTION XVII

PARTS LIST
KHB-50G SUPER II



KHB-50G SUPER II **PARTS BREAKDOWN**



KHB-50G SUPER II **PARTS LIST**

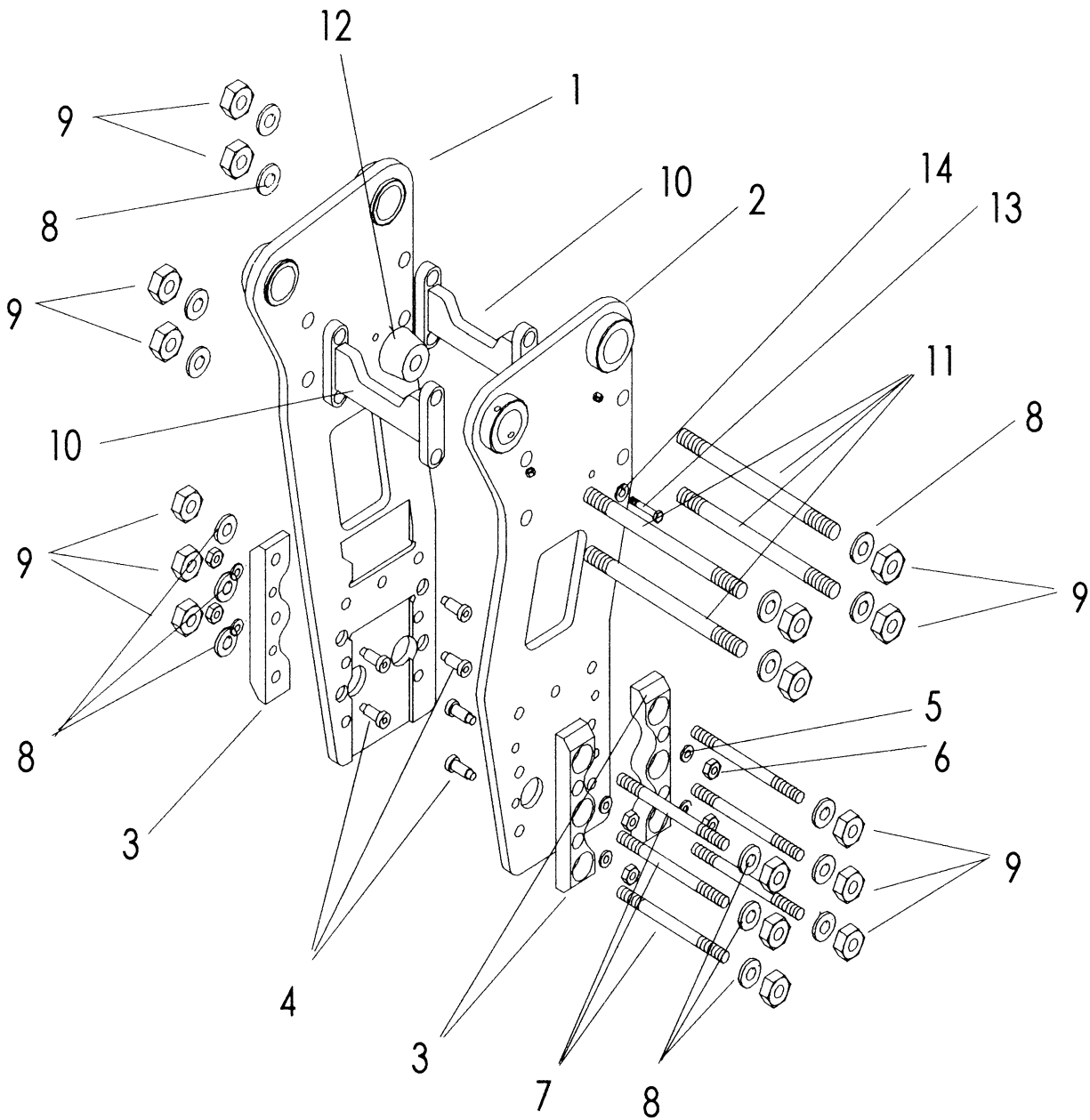


ITEM	P/N	QTY.	DESCRIPTION	ITEM	P/N	QTY.	DESCRIPTION
1	12508	1	CYLINDER	44	12545	1	THRUST BUSHING
2	11475	4	M30 HELI-SERT INSERT	45	12546	1	THRUST RING
3	11801	8	M24 HELI-SERT INSERT	46	12547	2	ROD PIN
4	12509	1*	186 U-PACKING	47	12548	2	STOP PIN
5	12510	1*	186 BUFFER RING	48	11440	2	RUBBER PLUG
6	12511	1*	186 DUST SEAL	49	12549	3*	RUBBER PLUG
7	12512	1	SEAL RETAINER	50	12550	2	FRONT HEAD PIN
8	12513	2*	180 SLIDE PACKING	51	12551	1	STOP PIN
9	12514	2*	O-RING	52	11442	2	SNAP RING
10	12515	1*	180 SEAL RING	53	10118	2	1/4 GREASE NIPPLE
11	12516	1*	BACK-UP RING	54	11219	1	3/4 PLUG
12	12517	2*	O-RING	55	12554	1*	O-RING
13	12518	3*	BACK-UP RING	56	12500	1	BLUNT TIP
14	12519	2	KNOCK PIN	56	12501	1	MOIL POINT
15	12520	1*	PLUG	56	12502	1	CHISEL BIT
16	12521	2*	BUSHING	57	12558	1	BACKHEAD
17	12522	5*	O-RING	58	11241	1	CHARGING VALVE
18	12523	1	STROKE ADJUSTER	59	11835	1	PLUG
19	12524	1	22 NUT	60	11246	1*	O-RING
20	01613	1*	O-RING	61	12559	1*	O-RING
21	10231	1*	BACK-UP RING	62	12560	4	THROUGH BOLT
22	11763	4	1/4 PLUG	63	12561	4	NUT
23	11764	4*	O-RING	64	12562	4	WASHER
24	12525	1	PISTON	65	12563	4	HEXAGON NUT
25	12526	1	VALVE	66	12564	1	ACCUMULATOR COVER
26	12527	1	VALVE PLUG	67	12565	1	ACCUMULATOR BODY
27	12528	1	VALVE HOUSING	68	12566	1	DIAPHRAGM
28	12529	1	UPPER COVER PLATE	69	11457	4	30 SOCKET BOLT
29	12530	1	LOWER COVER PLATE	70	11824	12	24 SOCKET BOLT
30	12531	16	SOCKET BOLT	71	12567	1*	O-RING
31	12532	1*	60 BACK-UP RING	72	11758	1	VALVE
32	12533	1*	75 BACK-UP RING	73	11759	1	CAP
33	12534	1	VALVE ADJUSTER	74	11760	1	PLUG
34	12535	1	JAM NUT	75	11762	1*	O-RING
35	12536	2*	O-RING	76	11761	2*	O-RING
36	12537	1*	BACKUP RING	77	12585	2	BACK-UP RING
37	12538	2*	O-RING	78	12584	2	O-RING
38	12539	2*	O-RING	79	11439	2	FLANGE ADAPTER
39	12540	2*	O-RING	80	11740	8	SOCKET BOLT
40	12541	2*	O-RING	81	12568	4	DUST PLUG
41	12542	1*	BACK-UP RING		12481	2	HOSE WHIP ASSEMBLY
42	12543	1	FRONT COVER		12570	1	SEAL KIT
43	12544	1	FRONT HEAD		12589	1	SERVICE TOOL KIT

NOTE: PARTS WITH THE SYMBOL "*" IN THE QTY. COLUMN ARE SUPPLIED AS A SEAL KIT.



MOUNTING BRACKET
KHB-50G SUPER II



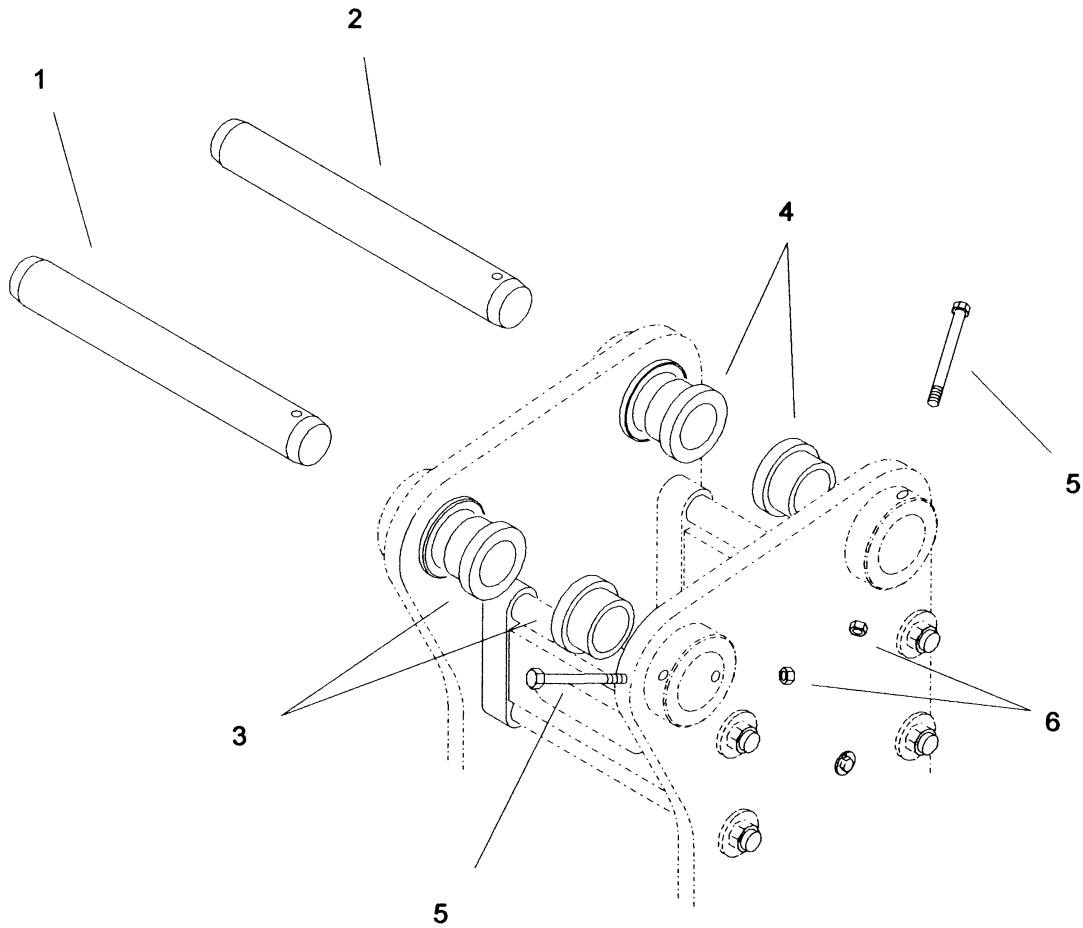


MOUNTING BRACKET PARTS LIST
KHB-50G SUPER II

<u>ITEM</u>	<u>P/N</u>	<u>QTY.</u>	<u>DESCRIPTION</u>
1	11050	1	RIGHT-HAND SIDE PLATE
2	11051	1	LEFT-HAND SIDE PLATE
3	11062	4	BOLT PROTECTOR
4	11068	8	1 1/4" SHOULDER BOLT
5	10279	8	7/8" HARDENED WASHER
6	10276	8	7/8" - 9 NC HEX NUT
7	18467	6	2" - 8 UNC STUD, CD THREAD
8	11267	20	2" HARDENED WASHER
9	11339	20	2" -8 UNC HEAVY HEX NUT
10	11055	2	SIDE PLATE BRACE
11	18465	4	2" -8 UNRC STUD x 30.73"
12	18431	2	VIBRATION DAMPENER
13	07232	2	5/8" -11 UNC BOLT x 3"
14	09847	2	5/8" LOCKWASHER



MOUNTING PIN KIT
KHB-50G SUPER II





MOUNTING PIN KIT PARTS LIST
KHB-50G SUPER II

Serial Number

Base Machine Make: _____
Base Machine Model: _____
Dipperstick Pin Diameter: _____
Link Pin Diameter: _____
Dipperstick Width: _____
Link Pin Width: _____

MOUNTING KIT PART NO: _____

Consisting of the following:

<u>ITEM</u>	<u>P/N</u>	<u>QTY.</u>	<u>DESCRIPTION</u>
1	_____	1	_____ DIA. MOUNTING PIN x 30" LONG
2	_____	1	_____ DIA. MOUNTING PIN x 30" LONG
3	<u>12130</u>	2	_____ DIA. MOUNTING BUSHING X _____ LG.
4	<u>12130</u>	2	_____ DIA. MOUNTING BUSHING X _____ LG.
5	<u>11074</u>	2	3/4" -10 UNC BOLT x 9.5" HHCS
6	<u>10195</u>	2	3/4" -10 UNC LOCKNUT

