

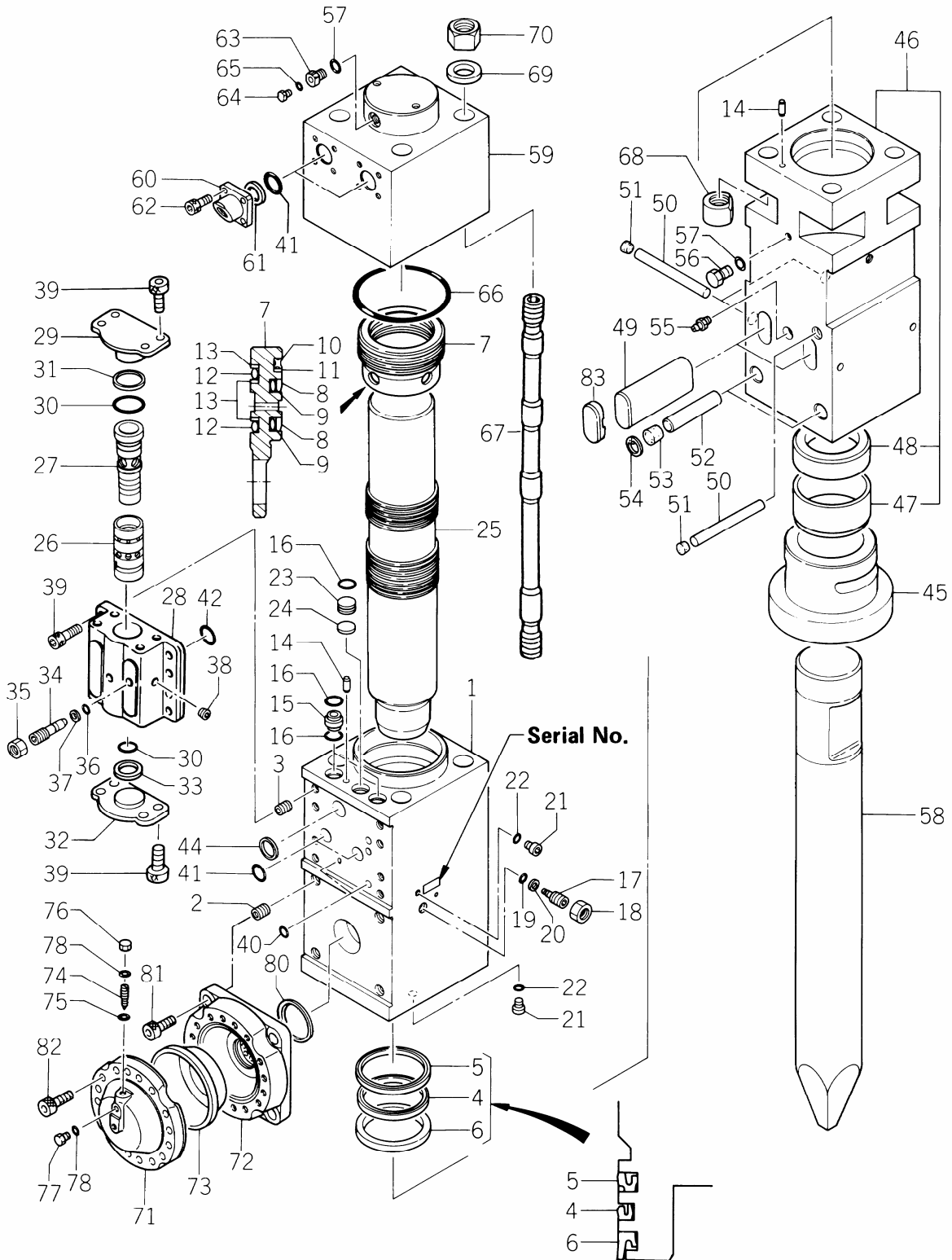


**SECTION XVI**

**PARTS LIST**  
**KHB-40G SUPER II**



# KHB-40G SUPER II PARTS BREAKDOWN



# **KHB-40G SUPER II** **PARTS LIST**

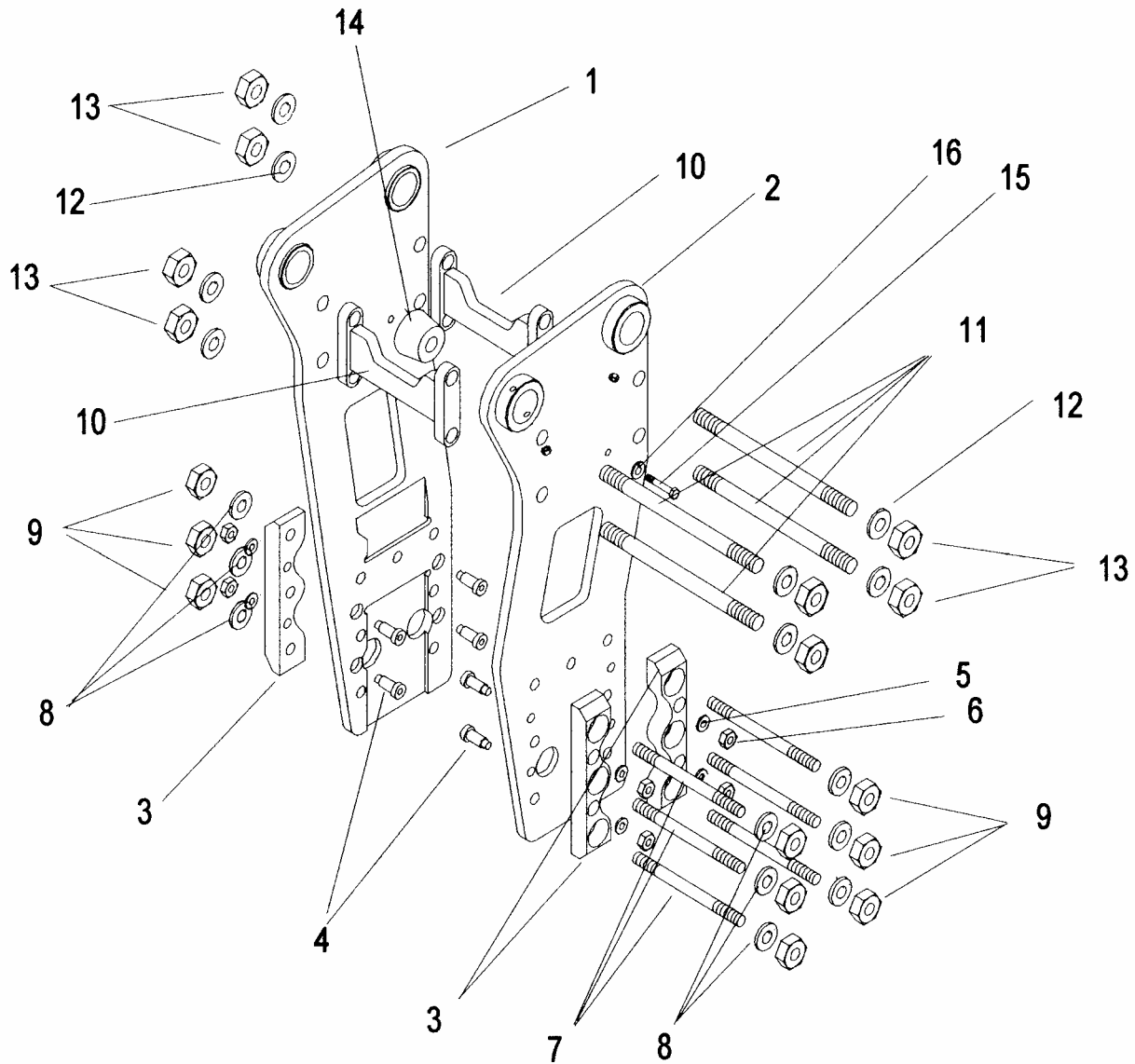


ITEM	P/N	QTY.	DESCRIPTION	ITEM	P/N	QTY.	DESCRIPTION
1	11625	1	CYLINDER	45	11428	1	FRONT COVER
2	11475	4	M30 HELI-SERT INSERT	46	11650	1	FRONT HEAD
3	11776	8	M20 HELI-SERT INSERT	47	11430	1	THRUST BUSHING
4	11626	1*	170 U-PACKING	48	11431	1	THRUST RING
5	11627	1*	170 BUFFER RING	49	11432	2	ROD PIN
6	11403	1*	170 DUST SEAL	50	11433	3	STOP PIN
7	11405	1	SEAL RETAINER	51	11434	3*	RUBBER PLUG
8	11628	2*	165 SLIDE PACKING	52	11441	2	FRONT HEAD PIN
9	11629	2*	O-RING	53	11440	2	RUBBER PLUG
10	11630	1*	135 SEAL RING	54	11442	2	SNAP RING
11	11631	1*	BACK-UP RING	55	10118	1	1/4 GREASE NIPPLE
12	11410	2*	O-RING	56	11745	1	1/2 PLUG
13	11411	3*	BACK-UP RING	57	10407	2*	O-RING
14	11404	2	KNOCK PIN	58	11435	1	BLUNT TIP
15	11412	2*	BUSHING	58	11436	1	MOIL POINT
16	11413	5*	O-RING	58	11437	1	CHISEL BIT
17	10220	1	STROKE ADJUSTER	59	11653	1	BACKHEAD
18	10221	1	22 NUT	60	11439	2	FLANGE ADAPTER
19	01613	1*	O-RING	61	11535	2*	O-RING
20	10231	1*	BACK-UP RING	62	11740	8	SOCKET BOLT
21	11763	4	1/4 PLUG	63	11241	1	CHARGE VALVE
22	11764	4*	O-RING	64	11835	1	PLUG
23	11635	1*	PLUG	65	11246	1*	O-RING
24	11636	1	COVER PLATE	66	11447	1*	O-RING
25	11414	1	PISTON	67	11655	4	THROUGH BOLT
26	11638	1	VALVE	68	11656	4	NUT
27	11639	1	VALVE PLUG	69	11657	4	WASHER
28	11640	1	VALVE HOUSING	70	11658	4	HEXAGON NUT
29	11641	1	VALVE HOUSING COVER	71	11453	1	ACCUMULATOR COVER
30	11642	2*	O-RING	72	11660	1	ACCUMULATOR BODY
31	11643	1*	BACK-UP RING	73	11455	1	DIAPHRAGM
32	11644	1	COVER PLATE	74	11758	1	VALVE
33	11652	1*	FACE SEAL	75	11762	1*	O-RING
34	11646	1	VALVE ADJUSTER	76	11759	1	CAP
35	11647	1	JAM NUT	77	11760	1	PLUG
36	11648	1*	O-RING	78	11761	2*	O-RING
37	11649	1*	BACKUP RING	80	11662	1*	FACE SEAL
38	11659	1	HOLLOW PLUG	81	11457	4	SOCKET BOLT
39	11721	16	SOCKET BOLT	82	11152	16	SOCKET BOLT
40	00479	2*	O-RING	83	11633	4	DUST PLUG
41	11534	4*	O-RING		12481	2	HOSE WHIP ASSEMBLY
42	10112	1*	O-RING		12480	1	SEAL KIT
44	11667	1*	FACE SEAL		11668	1	SERVICE TOOL KIT

NOTE: PARTS WITH THE SYMBOL "\*" IN THE QTY. COLUMN ARE SUPPLIED AS A SEAL KIT.



**MOUNTING BRACKET**  
**KHB-40G SUPER II**



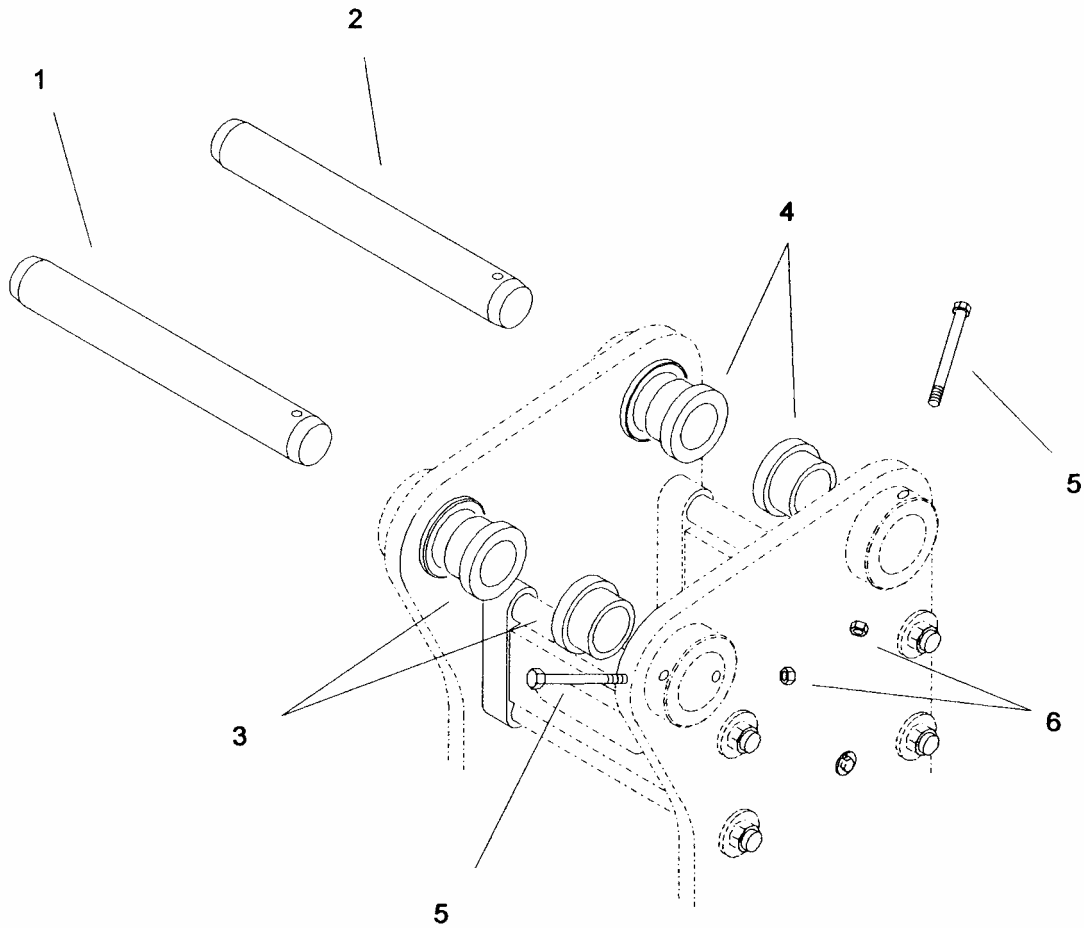


**MOUNTING BRACKET PARTS LIST**  
**KHB-40G SUPER II**

<b><u>ITEM</u></b>	<b><u>P/N</u></b>	<b><u>QTY.</u></b>	<b><u>DESCRIPTION</u></b>
1	11459	1	RIGHT-HAND SIDE PLATE
2	11460	1	LEFT-HAND SIDE PLATE
3	11669	4	BOLT PROTECTOR
4	11479	8	1 1/4" SHOULDER BOLT (2" LONG)
5	10279	8	7/8" HARDENED WASHER
6	10276	8	7/8" - 9 NC HEX NUT
7	18910	6	1 7/8" -8 UNC STUD, CD THREAD
8	11266	12	1 7/8" HARDENED WASHER
9	11334	12	1 7/8" -8 UNC HEAVY HEX NUT
10	11365	2	SIDE PLATE BRACE
11	18463	4	2" -8 UNRC STUD x 27"
12	11267	8	2" HARDENED WASHER
13	11339	8	2" -8 UNC HEAVY HEX NUT
14	18432	2	VIBRATION DAMPENER
15	7232	2	5/8" -11 UNC BOLT x 3"
16	9847	2	5/8" LOCKWASHER



**MOUNTING PIN KIT**  
**KHB-40G SUPER II**





**MOUNTING PIN KIT PARTS LIST**  
**KHB-40G SUPER II**

**Serial Number**

Base Machine Make: \_\_\_\_\_  
Base Machine Model: \_\_\_\_\_  
Dipperstick Pin Diameter: \_\_\_\_\_  
Link Pin Diameter: \_\_\_\_\_  
Dipperstick Width: \_\_\_\_\_  
Link Pin Width: \_\_\_\_\_

**MOUNTING KIT PART NO:** \_\_\_\_\_

Consisting of the following:

<b><u>ITEM</u></b>	<b><u>P/N</u></b>	<b><u>QTY.</u></b>	<b><u>DESCRIPTION</u></b>
1	_____	1	_____ DIA. MOUNTING PIN x 26" LONG
2	_____	1	_____ DIA. MOUNTING PIN x 26" LONG
3	<u>12125</u>	2	_____ DIA. MOUNTING BUSHING X _____ LG.
4	<u>12125</u>	2	_____ DIA. MOUNTING BUSHING X _____ LG.
5	<u>10193</u>	2	3/4" -10 UNC BOLT
6	<u>10195</u>	2	3/4" -10 UNC LOCKNUT

