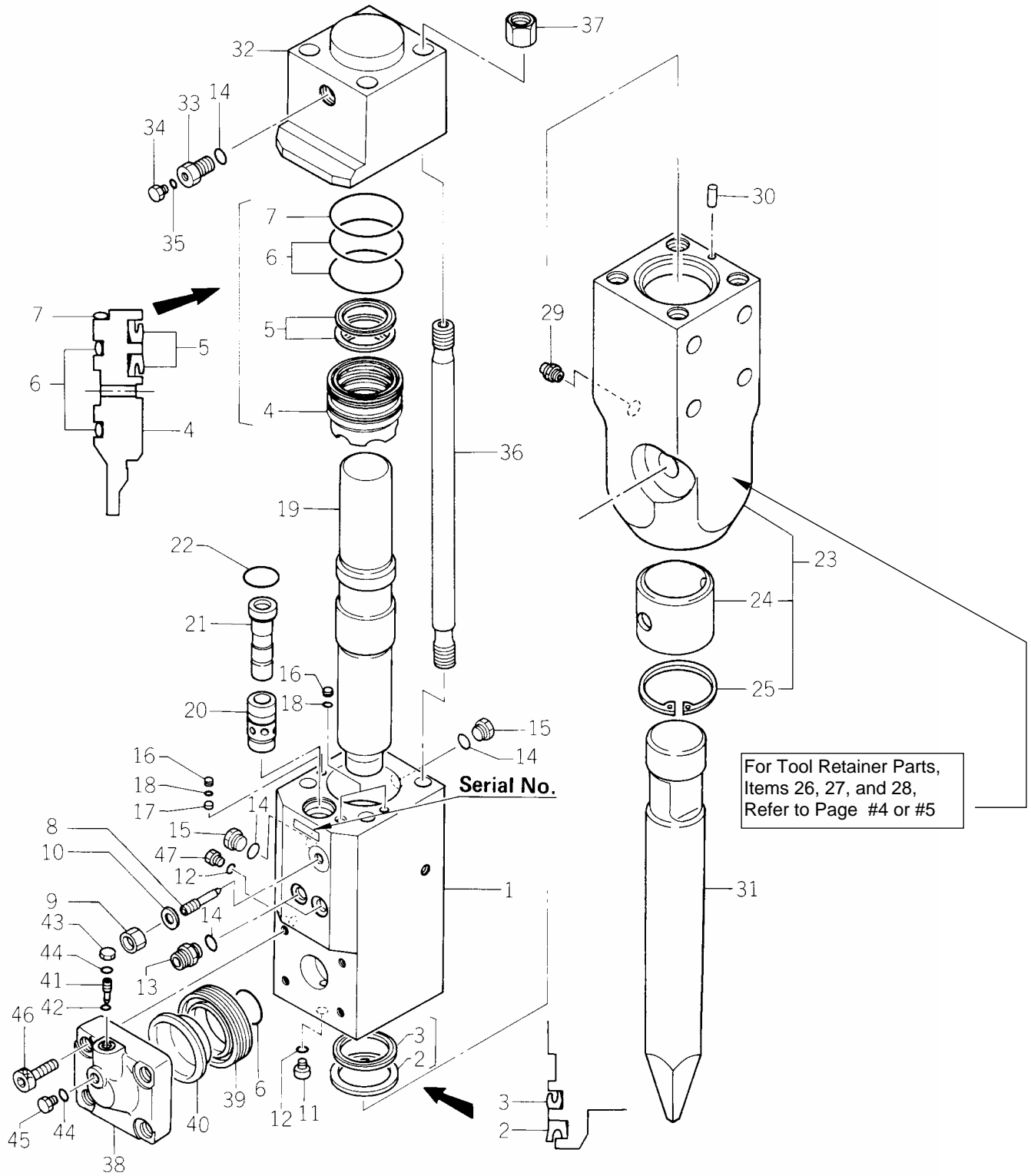


SECTION VII

PARTS LIST
KHB2G SUPER II



KHB2G SUPER II **PARTS BREAKDOWN**



KHB2G SUPER II **PARTS LIST**

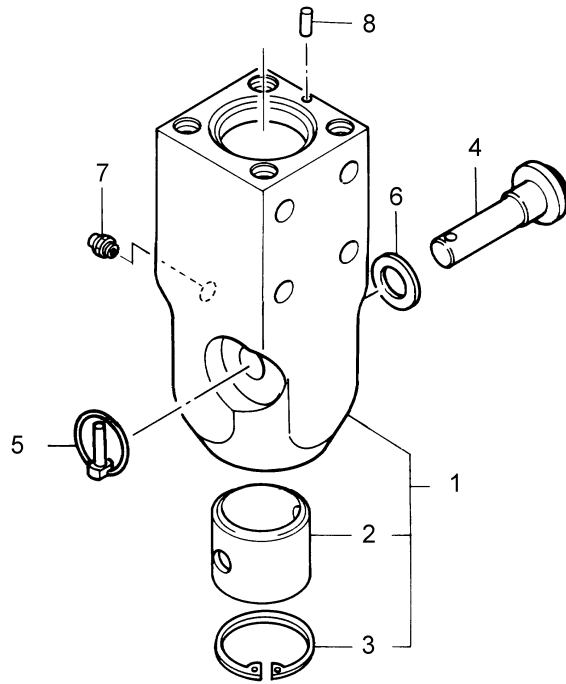


| <i>ITEM</i> | <i>P/N</i> | <i>QTY.</i> | <i>DESCRIPTION</i> | <i>ITEM</i> | <i>P/N</i> | <i>QTY.</i> | <i>DESCRIPTION</i> |
|-------------|------------|-------------|----------------------|-------------|------------|-------------|----------------------|
| 1 | 12225 | 1 | CYLINDER | 27 | ----- | 1 | (Refer to Next Page) |
| 2 | 12226 | 1* | 40 DUST SEAL | 28 | ----- | 1 | (Refer to Next Page) |
| 3 | 12227 | 1* | 40 U-PACKING | 29 | 10650 | 1 | ¼ GREASE NIPPLE |
| 4 | 12228 | 1 | SEAL RETAINER | 30 | 10106 | 1 | KNOCK PIN |
| 5 | 12229 | 2* | 34.5 U-PACKING | 31 | 12221 | 1 | CHISEL BIT |
| 6 | 11725 | 3* | O-RING | 31 | 12222 | 1 | BLUNT TIP |
| 7 | 11725 | 1* | O-RING | 31 | 12223 | 1 | MOIL POINT |
| 8 | 12231 | 1 | VALVE ADJUSTER | 32 | 10651 | 1 | BACKHEAD |
| 9 | 10533 | 1 | SEAL NUT | 33 | 11241 | 1 | CHARGING VALVE |
| 10 | 10534A | 1* | SEAL WASHER | 34 | 11835 | 1 | PLUG |
| 11 | 11763 | 2 | ¼ PLUG | 35 | 11246 | 1* | O-RING |
| 12 | 11764 | 2* | O-RING | 36 | 12249 | 4 | THROUGH BOLT |
| 13 | 15287 | 2 | PORT ADAPTER | 37 | 12250 | 4 | HEXAGON NUT |
| 14 | 10407 | 5* | O-RING | 38 | 12251 | 1 | ACCUMULATOR COVER |
| 15 | 12232 | 1 | ½ PLUG | 39 | 12252 | 1 | ACCUMULATOR BODY |
| 16 | 11765 | 3* | PLUG | 40 | 12253 | 1 | DIAPHRAGM |
| 17 | 11766 | 1* | COVER PLATE | 41 | 11758 | 1 | NEEDLE VALVE |
| 18 | 11767 | 3* | O-RING | 42 | 11728 | 1* | O-RING |
| 19 | 12233 | 1 | PISTON | 43 | 12254 | 1 | DUST CAP |
| 20 | 12234 | 1 | VALVE | 44 | 11761 | 1* | O-RING |
| 21 | 12235 | 1 | VALVE PLUG | 45 | 11760 | 1 | CHARGE PLUG |
| 22 | 12264 | 1* | O-RING | 46 | 12255 | 4 | SOCKET BOLT |
| 23 | ----- | 1 | (Refer to Next Page) | 47 | 11763 | 1 | PLUG |
| 24 | 12237 | 1 | FRONT BUSHING | | 10581 | 2 | HOSE WHIP ASSEMBLY |
| 25 | 12238 | 1 | SNAP RING | | 12260 | 1 | SEAL KIT |
| 26 | ----- | 1 | (Refer to Next Page) | | 12262 | 1 | SERVICE TOOL KIT |

NOTE: PARTS WITH THE SYMBOL "*" IN THE QTY. COLUMN ARE SUPPLIED AS A SEAL KIT.

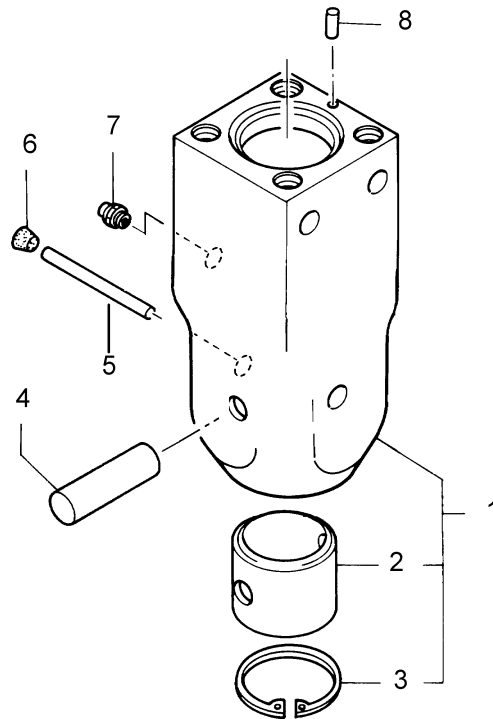


RING PIN STYLE FRONTHEAD
KHB2G SUPER II



| ITEM | PART NUMBER | QUANTITY | DESCRIPTION |
|------|-------------|----------|--------------------|
| 1 | 12264 | 1 | FRONTHEAD |
| 2 | 12237 | 1 | FRONT BUSHING |
| 3 | 12238 | 1 | SNAP RING |
| 4 | 12239 | 1 | ROD PIN (RETAINER) |
| 5 | 12263 | 1 | RING PIN |
| 6 | 12240 | 1 | RUBBER WASHER |
| 7 | 10650 | 1 | 1/8 GREASE NIPPLE |
| 8 | 10106 | 1 | KNOCK PIN |

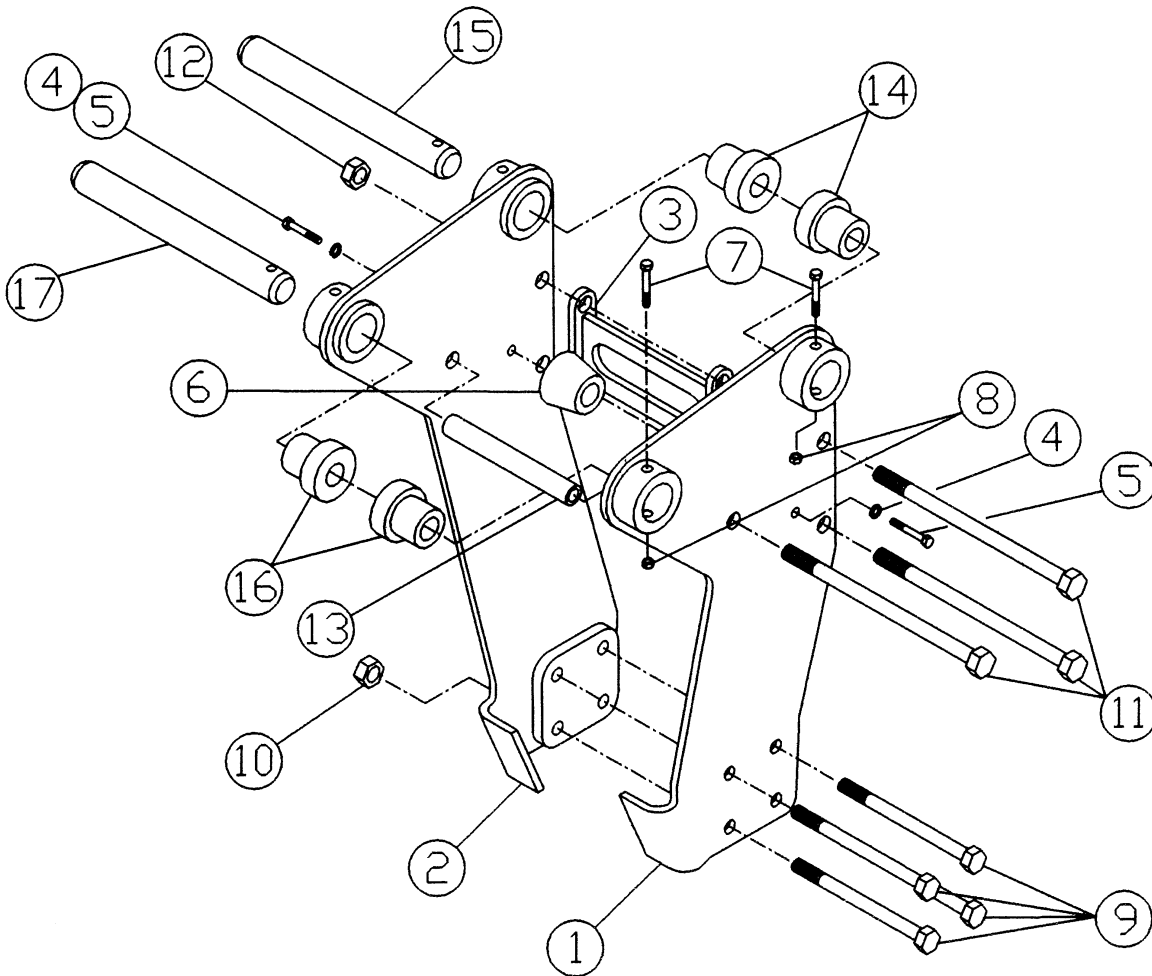
STOP PIN STYLE FRONTHEAD
KHB2G SUPER II



| ITEM | PART NUMBER | QUANTITY | DESCRIPTION |
|------|-------------|----------|--------------------|
| 1 | 12256 | 1 | FRONTHEAD |
| 2 | 12237 | 1 | FRONT BUSHING |
| 3 | 12238 | 1 | SNAP RING |
| 4 | 12257 | 1 | ROD PIN (RETAINER) |
| 5 | 12258 | 1 | STOP PIN |
| 6 | 12259 | 1 | PLUG, THREADED |
| 7 | 10650 | 1 | 1/8 GREASE NIPPLE |
| 8 | 10106 | 1 | KNOCK PIN |



MOUNTING BRACKET
KHB2G SUPER II



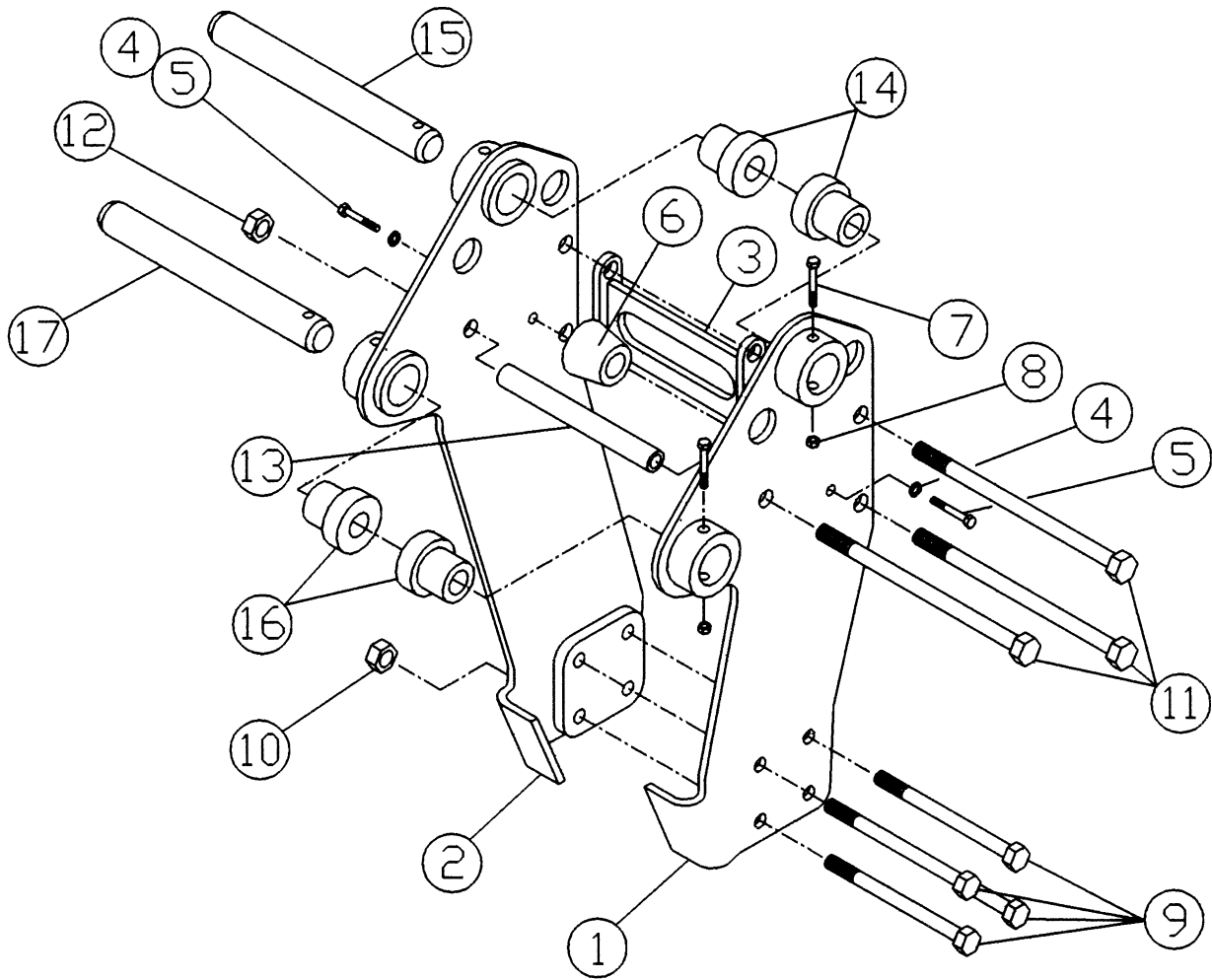


MOUNTING BRACKET PARTS LIST
KHB2G SUPER II

| <u>ITEM</u> | <u>P/N</u> | <u>QTY.</u> | <u>DESCRIPTION</u> |
|--------------------|-------------------|--------------------|-----------------------------|
| 1 | 12294 | 1 | RIGHT-HAND SIDE PLATE |
| 2 | 12289 | 1 | LEFT-HAND SIDE PLATE |
| 3 | 12219 | 1 | SIDE PLATE BRACE |
| 4 | 6412 | 2 | ½ LOCK WASHER |
| 5 | 6427 | 2 | ½ X 1.5" HEX BOLT |
| 6 | 18428 | 2 | VIBRATION DAMPENER |
| 7 | 12037 | 2 | 3/8" - 16 X 3-3/4" HEX BOLT |
| 8 | 12272 | 2 | 3/8" - 16 LOCK NUT |
| 9 | 12209 | 4 | M20 X 180mm HEX BOLT |
| 10 | 12206 | 4 | M20 LOCK NUT |
| 11 | 12211 | 3 | 7/8"- 9 X 9" HEX BOLT |
| 12 | 10189 | 3 | 7/8"- 9 LOCK NUT |
| 13 | 15013-0775 | 1 | 1" PIPE SPACER, 7.75" LONG |
| 14 | Refer to | 1 | MOUNTING BUSHING |
| 15 | Mounting | 2 | MOUNTING PIN |
| 16 | Pin Kit | 1 | MOUNTING BUSHING |
| 17 | Parts List | 2 | MOUNTING PIN |



MOUNTING BRACKET
KHB2GO SUPER II
Optional Offset Style



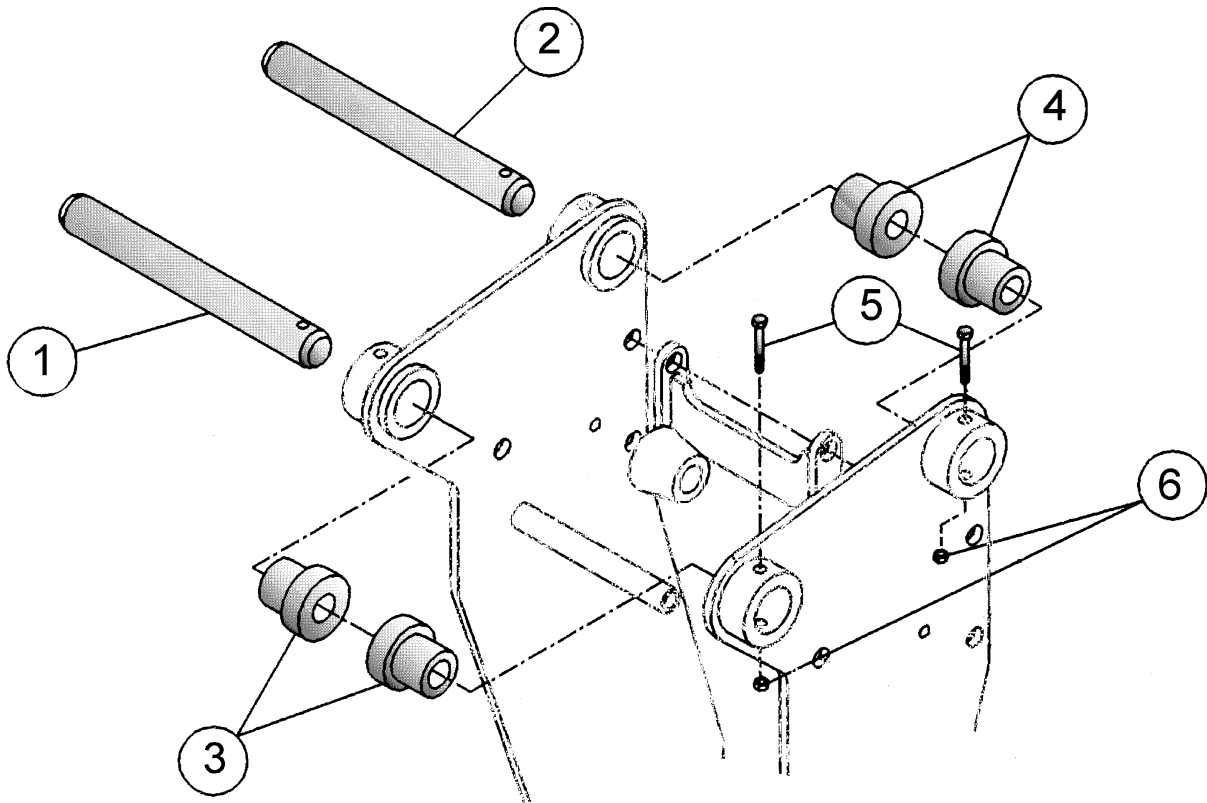


MOUNTING BRACKET PARTS LIST
KHB2GO SUPER II
Optional Offset Style

| <u>ITEM</u> | <u>P/N</u> | <u>QTY.</u> | <u>DESCRIPTION</u> |
|--------------------|---|--------------------|-----------------------------|
| 1 | 12215 | 1 | RIGHT-HAND SIDE PLATE |
| 2 | 12216 | 1 | LEFT-HAND SIDE PLATE |
| 3 | 12219 | 1 | SIDE PLATE BRACE |
| 4 | 6412 | 2 | ½ LOCK WASHER |
| 5 | 6427 | 2 | ½ X 1.5" HEX BOLT |
| 6 | 18428 | 2 | VIBRATION DAMPENER |
| 7 | 12037 | 2 | 3/8" - 16 X 3-3/4" HEX BOLT |
| 8 | 12272 | 2 | 3/8" - 16 LOCK NUT |
| 9 | 12209 | 4 | M20 X 180mm HEX BOLT |
| 10 | 12206 | 4 | M20 LOCK NUT |
| 11 | 12211 | 3 | 7/8"- 9 X 9" HEX BOLT |
| 12 | 10189 | 3 | 7/8"- 9 LOCK NUT |
| 13 | 15013-0775 | 1 | 1" PIPE SPACER, 7.75" LONG |
| 14 | Refer to Mounting Pin Kit Parts List | 1 | MOUNTING BUSHING |
| 15 | | 2 | MOUNTING PIN |
| 16 | | 1 | MOUNTING BUSHING |
| 17 | | 2 | MOUNTING PIN |



MOUNTING PIN KIT
KHB2G SUPER II





MOUNTING PIN KIT PARTS LIST
KHB2G SUPER II

Serial Number

Base Machine Make: _____
 Base Machine Model: _____
 Dipperstick Pin Diameter: _____
 Link Pin Diameter: _____
 Dipperstick Width: _____
 Link Pin Width: _____

MOUNTING KIT PART NO: _____

Consisting of the following:

| <u>ITEM</u> | <u>P/N</u> | <u>QTY.</u> | <u>DESCRIPTION</u> |
|--------------------|-------------------|--------------------|---|
| 1 | _____ | 1 | _____ DIA. MOUNTING PIN x 17" LONG |
| 2 | _____ | 1 | _____ DIA. MOUNTING PIN x 17" LONG |
| 3 | 12312 | 2 | _____ DIA. MOUNTING BUSHING X _____ LG. |
| 4 | 12312 | 2 | _____ DIA. MOUNTING BUSHING X _____ LG. |
| 5 | 12037 | 2 | 3/8" - 16 X 3-3/4" HEX BOLT |
| 6 | 12272 | 2 | 3/8" - 16 LOCK NUT |

