

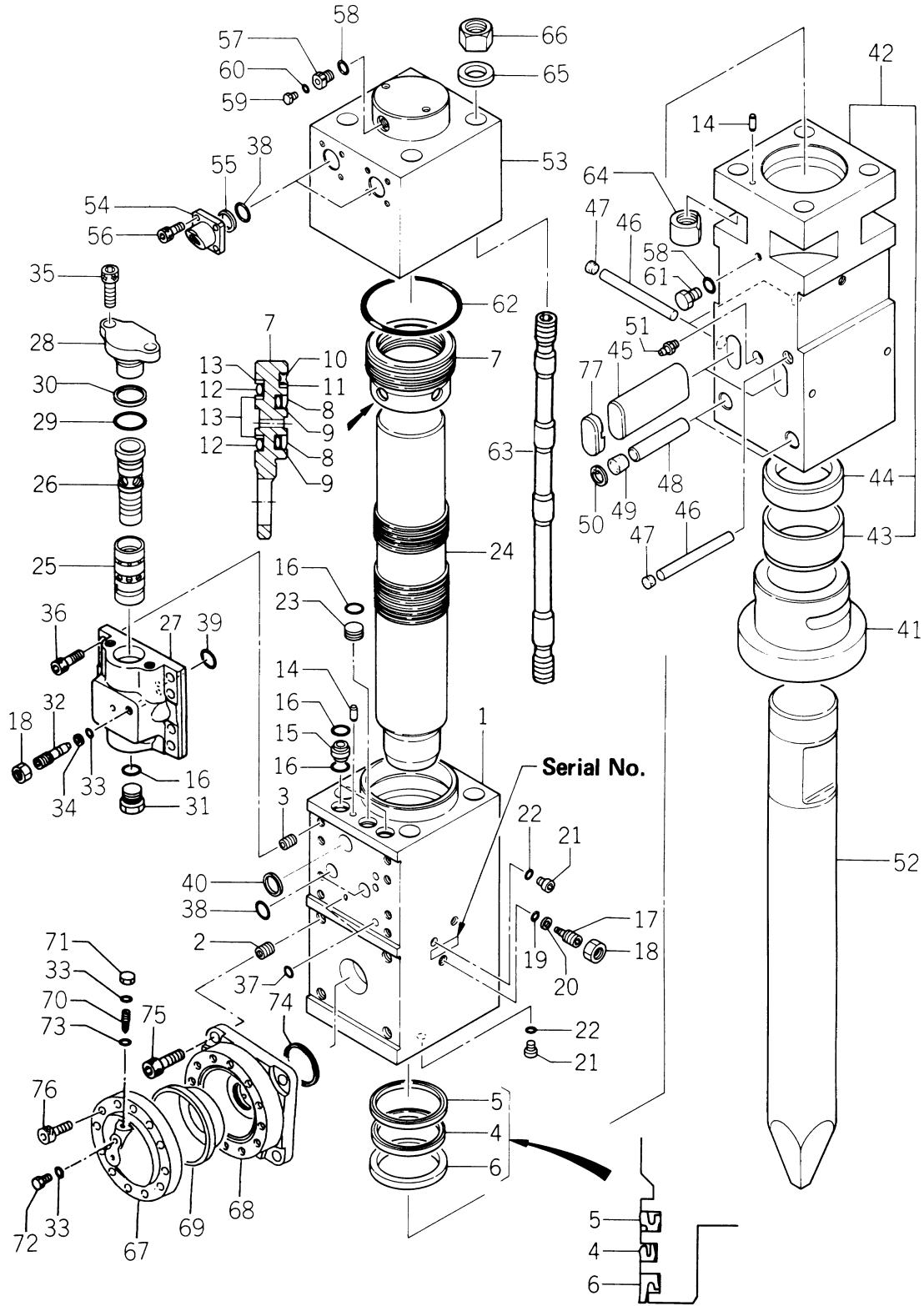


**SECTION XIV**

**PARTS LIST**  
**KHB-20G SUPER II**



# **KHB-20G SUPER II** **PARTS BREAKDOWN**



# **KHB-20G SUPER II** **PARTS LIST**

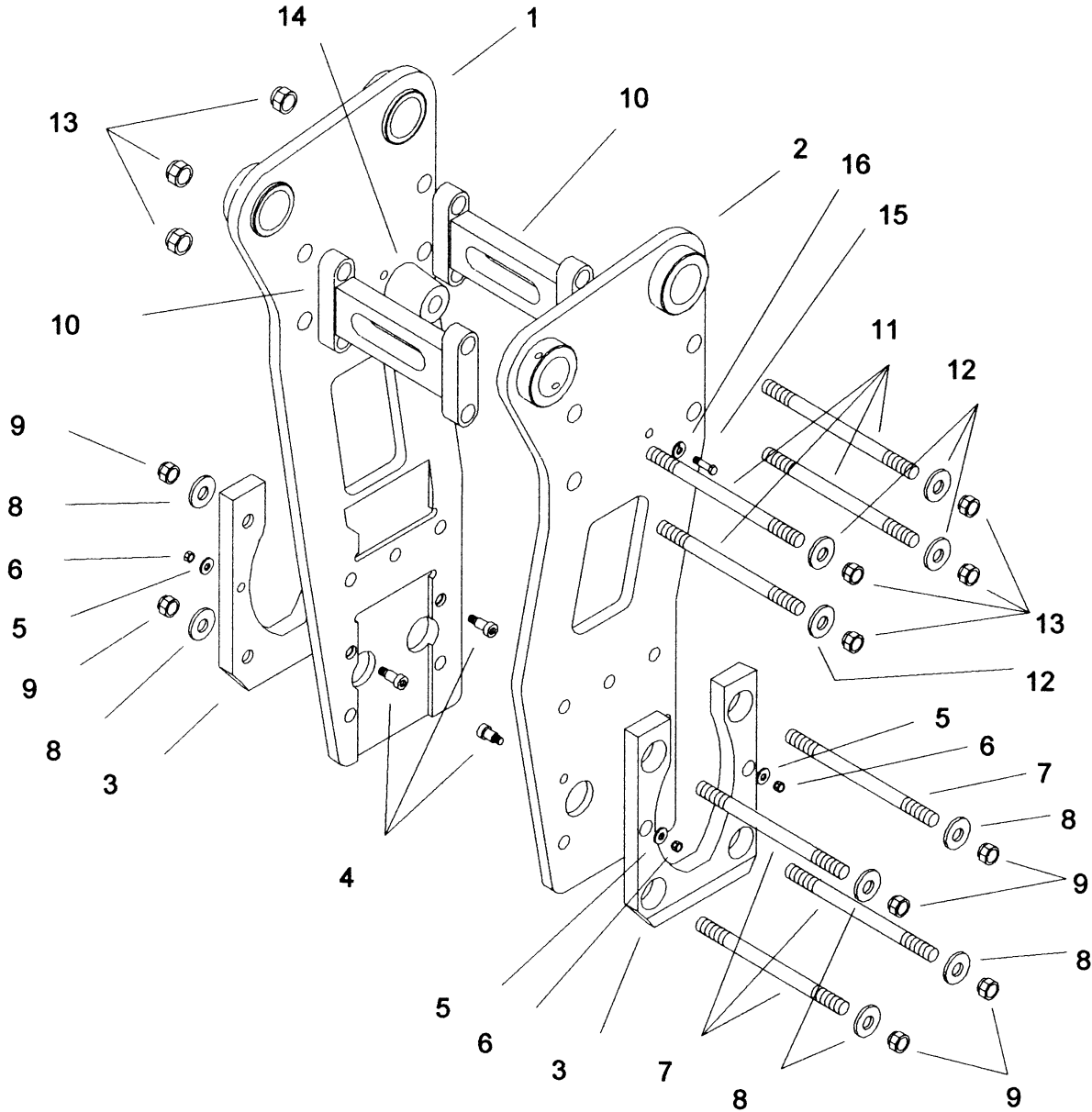


| ITEM | P/N   | QTY. | DESCRIPTION          | ITEM | P/N   | QTY. | DESCRIPTION         |
|------|-------|------|----------------------|------|-------|------|---------------------|
| 1    | 11800 | 1    | CYLINDER             | 42   | 11827 | 1    | FRONT HEAD          |
| 2    | 11775 | 4    | M24 HELI-SERT INSERT | 43   | 11730 | 1    | FRONT BUSHING       |
| 3    | 11776 | 8    | M20 HELI-SERT INSERT | 44   | 11731 | 1    | THRUST RING         |
| 4    | 11803 | 1*   | 140 U-PACKING        | 45   | 11732 | 2    | ROD PIN             |
| 5    | 11804 | 1*   | 140 BUFFER RING      | 46   | 11733 | 3    | STOP PIN            |
| 6    | 11805 | 1*   | 140 DUST SEAL        | 47   | 11734 | 3*   | RUBBER PLUG         |
| 7    | 11806 | 1    | SEAL RETAINER        | 48   | 11117 | 2    | FRONT HEAD PIN      |
| 8    | 11807 | 2*   | 135 SLIDE PACKING    | 49   | 11119 | 2    | RUBBER PLUG         |
| 9    | 11808 | 2*   | O-RING               | 50   | 11123 | 2    | SNAP RING           |
| 10   | 11809 | 1*   | 135 SEAL RING        | 51   | 10118 | 1    | 1/4 GREASE NIPPLE   |
| 11   | 11810 | 1*   | 135 BACK-UP RING     | 52   | 11735 | 1    | BLUNT               |
| 12   | 11710 | 2*   | O-RING               | 52   | 11736 | 1    | MOIL                |
| 13   | 11711 | 3*   | BACK-UP RING         | 52   | 11737 | 1    | CHISEL              |
| 14   | 10206 | 2    | KNOCK PIN            | 53   | 11834 | 1    | BACKHEAD            |
| 15   | 11712 | 2*   | BUSHING              | 54   | 11739 | 2    | FLANGE ADAPTER      |
| 16   | 11713 | 6*   | O-RING               | 55   | 11134 | 2*   | BACK-UP RING        |
| 17   | 10220 | 1    | STROKE ADJUSTER      | 56   | 11740 | 8    | 14 FINE SOCKET BOLT |
| 18   | 11811 | 2    | 22 NUT               | 57   | 11241 | 1    | CHARGE VALVE        |
| 19   | 10422 | 1*   | O-RING               | 58   | 10407 | 2*   | O-RING              |
| 20   | 10423 | 1*   | BACK-UP RING         | 59   | 11835 | 1    | PLUG                |
| 21   | 11763 | 4    | 1/4 PLUG             | 60   | 11246 | 1*   | O-RING              |
| 22   | 11764 | 4*   | O-RING               | 61   | 11745 | 1    | 1/2 PLUG            |
| 23   | 11812 | 1*   | PLUG                 | 62   | 11747 | 1*   | O-RING              |
| 24   | 11814 | 1    | PISTON               | 63   | 11836 | 4    | THROUGH BOLT        |
| 25   | 11815 | 1    | VALVE                | 64   | 11837 | 4    | NUT                 |
| 26   | 11816 | 1    | VALVE PLUG           | 65   | 11838 | 4    | WASHER              |
| 27   | 11817 | 1    | VALVE HOUSING        | 66   | 11839 | 4    | HEXAGON NUT         |
| 28   | 11818 | 1    | VALVE HOUSING COVER  | 67   | 11858 | 1    | ACCUMULATOR COVER   |
| 29   | 11819 | 1*   | O-RING               | 68   | 11862 | 1    | ACCUMULATOR BODY    |
| 30   | 11820 | 1*   | BACK-UP RING         | 69   | 11856 | 1    | DIAPHRAGM           |
| 31   | 11719 | 1    | 1 PLUG               | 70   | 11758 | 1    | VALVE               |
| 32   | 11821 | 1    | VALVE ADJUSTER       | 71   | 11842 | 1    | CAP                 |
| 33   | 11761 | 3*   | O-RING               | 72   | 11760 | 1    | PLUG                |
| 34   | 11822 | 1*   | BACK-UP RING         | 73   | 11762 | 1*   | O-RING              |
| 35   | 11824 | 2    | 24 FINE SOCKET BOLT  | 74   | 11872 | 1*   | 80 FACE SEAL        |
| 36   | 11721 | 8    | 20 SOCKET BOLT       | 75   | 11757 | 4    | 24 SOCKET BOLT      |
| 37   | 11825 | 2*   | O-RING               | 76   | 11861 | 12   | 18 SOCKET BOLT      |
| 38   | 10734 | 4*   | O-RING               | 77   | 11857 | 4    | DUST PLUG           |
| 39   | 11534 | 1*   | O-RING               |      | 11781 | 2    | HOSE WHIP ASSEMBLY  |
| 40   | 11871 | 1*   | 45 FACE SEAL         |      | 11848 | 1    | SEAL KIT            |
| 41   | 11728 | 1    | FRONT COVER          |      | 11855 | 1    | SERVICE TOOL KIT    |

NOTE: PARTS WITH THE SYMBOL "\*" IN THE QTY. COLUMN ARE SUPPLIED AS A SEAL KIT.



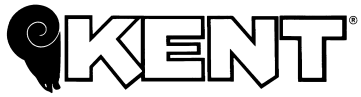
**MOUNTING BRACKET**  
**KHB-20G SUPER II**



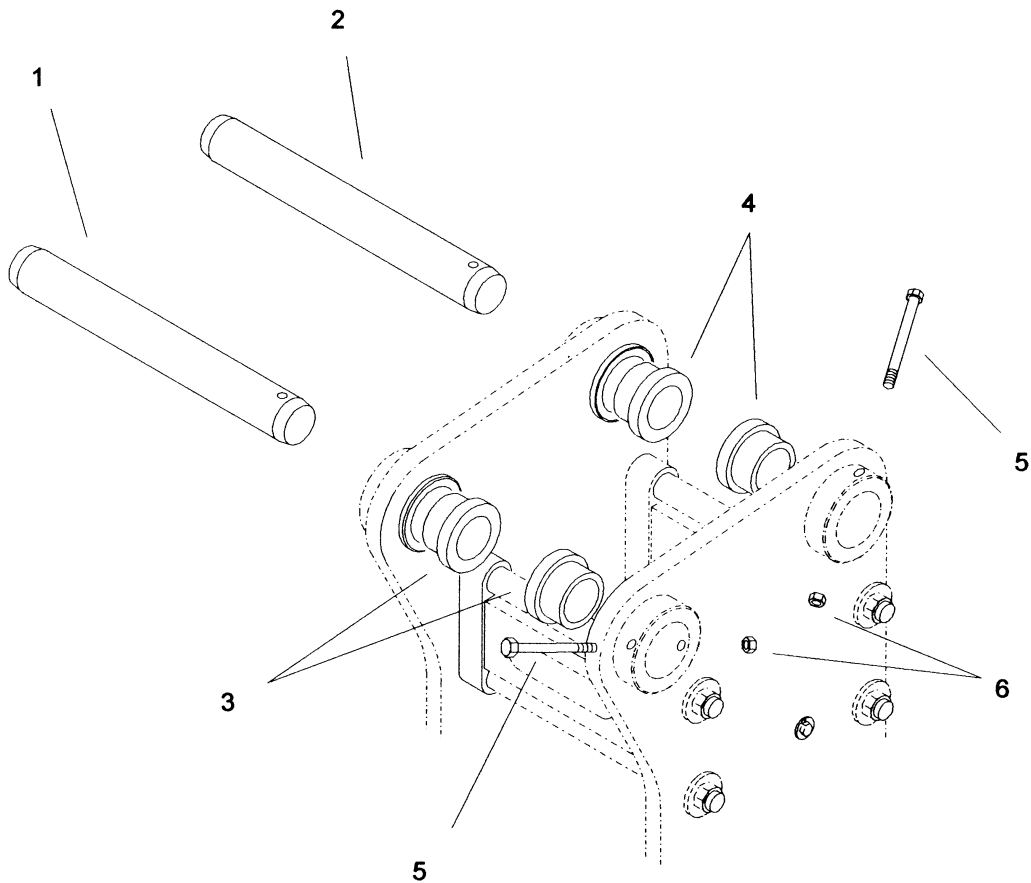


**MOUNTING BRACKET PARTS LIST**  
**KHB-20G SUPER II**

| <b><u>ITEM</u></b> | <b><u>P/N</u></b> | <b><u>QTY.</u></b> | <b><u>DESCRIPTION</u></b>      |
|--------------------|-------------------|--------------------|--------------------------------|
| 1                  | 11366             | 1                  | RIGHT-HAND SIDE PLATE          |
| 2                  | 11367             | 1                  | LEFT-HAND SIDE PLATE           |
| 3                  | 220000            | 2                  | BOLT PROTECTOR                 |
| 4                  | 11342             | 4                  | 1" SHOULDER BOLT (1 3/4" LONG) |
| 5                  | 10278             | 4                  | 3/4" HARDENED WASHER           |
| 6                  | 2025              | 4                  | 3/4" -10 NC NUT                |
| 7                  | 18883             | 4                  | 1 7/8" -8 UNC STUD, CD THREAD  |
| 8                  | 11266             | 8                  | 1 7/8" HARDENED WASHER         |
| 9                  | 11334             | 8                  | 1 7/8" -8 UNC HEAVY HEX NUT    |
| 10                 | 11365             | 2                  | SIDE PLATE BRACE               |
| 11                 | 18460             | 4                  | 2" -8 UNRC STUD                |
| 12                 | 11267             | 8                  | 2" HARDENED WASHER             |
| 13                 | 11339             | 8                  | 2" -8 UNC HEAVY HEX NUT        |
| 14                 | 18431             | 2                  | VIBRATION DAMPENER             |
| 15                 | 9659              | 2                  | 5/8" -11 UNC BOLT              |
| 16                 | 9847              | 2                  | 5/8" LOCKWASHER                |



**MOUNTING PIN KIT**  
**KHB-20G SUPER II**





**MOUNTING PIN KIT PARTS LIST**  
**KHB-20G SUPER II**

**Serial Number**

Base Machine Make: \_\_\_\_\_  
 Base Machine Model: \_\_\_\_\_  
 Dipperstick Pin Diameter: \_\_\_\_\_  
 Link Pin Diameter: \_\_\_\_\_  
 Dipperstick Width: \_\_\_\_\_  
 Link Pin Width: \_\_\_\_\_

**MOUNTING KIT PART NO:** \_\_\_\_\_

Consisting of the following:

| <b><u>ITEM</u></b> | <b><u>P/N</u></b> | <b><u>QTY.</u></b> | <b><u>DESCRIPTION</u></b>               |
|--------------------|-------------------|--------------------|---|
| 1                  | _____             | 1                  | _____ DIA. MOUNTING PIN x 26" LONG      |
| 2                  | _____             | 1                  | _____ DIA. MOUNTING PIN x 26" LONG      |
| 3                  | <u>12125</u>      | 2                  | _____ DIA. MOUNTING BUSHING X _____ LG. |
| 4                  | <u>12125</u>      | 2                  | _____ DIA. MOUNTING BUSHING X _____ LG. |
| 5                  | <u>10193</u>      | 2                  | 3/4" -10 UNC BOLT                       |
| 6                  | <u>10195</u>      | 2                  | 3/4" -10 UNC LOCKNUT                    |

